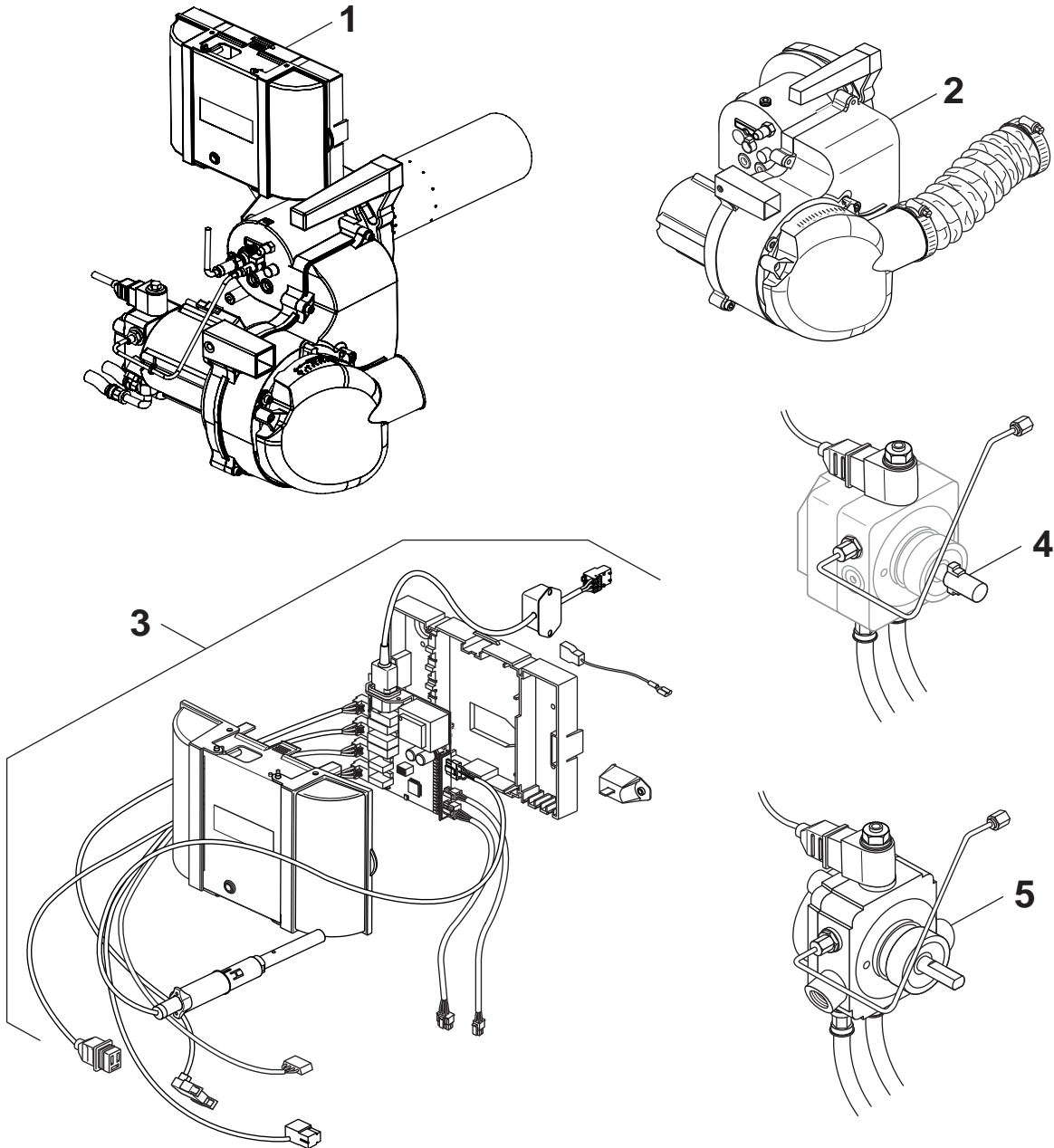


Öl-Gebläsebrenner BE1.3-2.3 GB125



6720905743.aa.RS-BE 1.3-2.3 GB125

Buderus

Wichtige Hinweise

- Ersatzteile dürfen nur von einem zugelassenen Installateur eingebaut werden!
- Im Anhang finden Sie:
 - die Übersetzungen aller verwendeten Teilebezeichnungen
 - eine Übersicht der Gerätetypen und Länder, für die diese Ersatzteilliste gilt.

Important notes

- The spare parts may only be installed by an approved installer!
- In the appendix you will find:
 - a list of translations of the names of all parts used
 - a list of the models and countries to which this spare parts list applies.

Indications importantes

- L'installation des pièces de rechange doit être effectuée par un professionnel qualifié!
- Veuillez trouver en annexe:
 - les traductions de toutes les désignations des pièces utilisées
 - une vue globale des types de chaudières et des pays pour lesquels la présente liste des pièces de rechange est valable.

Informações importantes

- Peças de substituição só podem ser montadas por um técnico credenciado!
- Em anexo encontra:
 - as traduções das designações de todas as peças utilizadas.
 - lista dos aparelhos e países para os quais esta lista de peças de substituição é válida.

Avvertenze importanti

- Le parti di ricambio possono essere montate esclusivamente da personale qualificato ed in possesso dei requisiti tecnico-professionali!
- In appendice sono reperibili:
 - traduzione di ogni descrizione relativa alle varie parti di ricambio
 - elenco di sigle e codici, corrispondente ai vari paesi di destinazione.

Indicaciones importantes

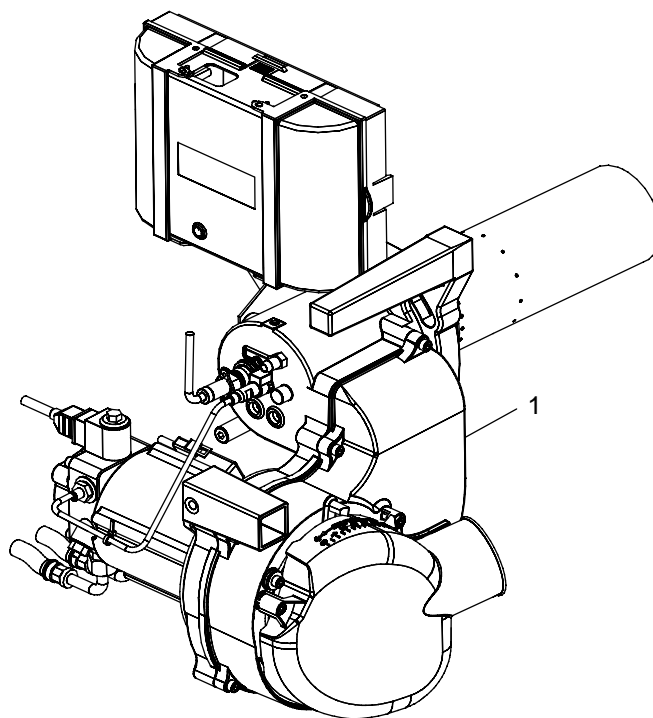
- Los repuestos solamente deben ser montados por los servicios técnicos oficiales de la marca!
- En el anexo podrá encontrar:
 - la traducción de todas las denominaciones de piezas empleadas
 - una relación de los tipos de aparato y países en los que se aplica esta lista de repuestos.

Belangrijke aanwijzing

- Onderdelen mogen alleen door een erkend installateur worden vervangen!
- In de bijlage vindt u:
 - de vertalingen van de gebruikte onderdelentekeningen
 - een overzicht van toesteltypen en de landen waarvoor deze onderdelenlijst bedoeld is.

Önemli Bilgiler

- Yedek parçalar sadece yetkili tesisatçılar tarafından monte edilebilir!
- Aşağıdaki bilgileri ekli olarak bulabilirsiniz:
 - Tüm kullanılan parça tanımlarının tercümelemleri
 - Bu yedek parça listesinin geçerli olduğu tüm cihaz çeşitleri ve ülkelerin özeti.



6720905744.aa.RS-Brennervarianten BE 1.3-2.3 GB125

1

Brennervarianten
Burner versions
Variantes de brûleur
Varianti bruciatore
Variantes de quemadores
Brandervarianten

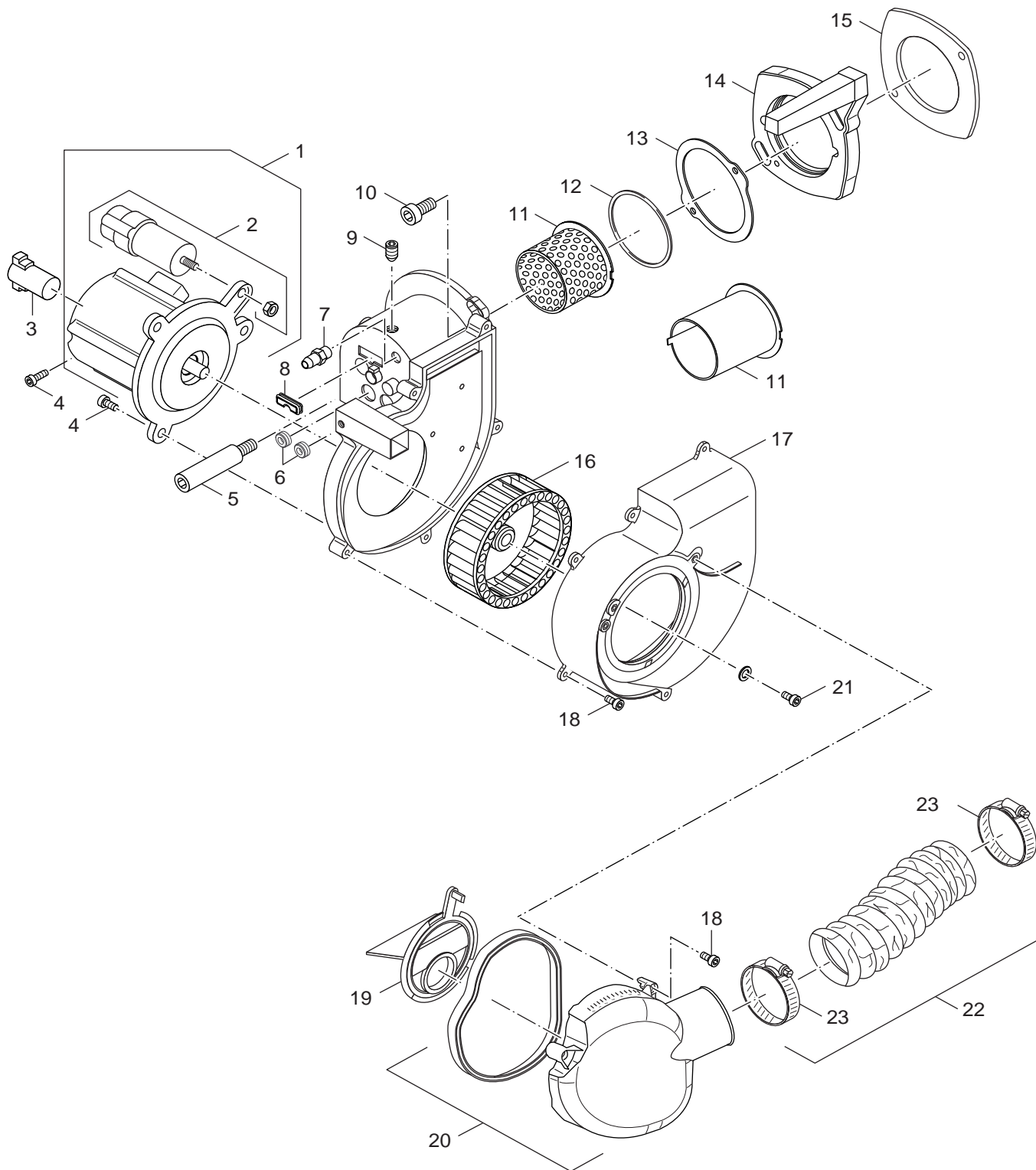
**Öl-Gebläsebrenner
BE1.3-2.3 GB125**

| Pos | Bezeichnung description dénomination descrizioni descripción benaming | Bestell-Nr. Ordering no. Numero de commande n° d'ordine Número el ordenar Bestelnummer | Ölbrenner BE 1.3-18 | Ölbrenner BE 1.3-22 | Ölbrenner BE 2.3-30 | Ölbrenner BE 2.3-35 | | | | | | | | | | | | | | | | | | | | | | | | | | | | | | | | | | Bemerkungen Remarks Remarques Osservazioni Observaciones Opmerkingen |
|--|--|---|---------------------|---------------------|---------------------|---------------------|--|--|--|--|--|--|--|--|--|--|--|--|--|--|--|--|--|--|--|--|--|--|---|--|--|--|--|--|--|--|--|--|----------|---|
| 1 | Ölbrenner BE 2.3-35 GB125 | 7 747 002 823 | | | | ■ | | | | | | | | | | | | | | | | | | | | | | | | | | | | | | | | | | |
| 1 | Ölbrenner BE 2.3-30 GB125 | 7 747 002 824 | | | ■ | | | | | | | | | | | | | | | | | | | | | | | | | | | | | | | | | | | |
| 1 | Ölbrenner BE 1.3-22 GB125 | 7 747 002 825 | | ■ | | | | | | | | | | | | | | | | | | | | | | | | | | | | | | | | | | | | |
| 1 | Ölbrenner BE 1.3-18 GB125 | 7 747 002 826 | ■ | | | | | | | | | | | | | | | | | | | | | | | | | | | | | | | | | | | | | |
| Öl-Gebläsebrenner BE1.3-2.3 GB125 | | | | | | | | | | | | | | | | | | | | | | | | | | | | | Brennervarianten Burner versions Variantes de brûleur Varianti bruciatore Variantes de quemadores Brandervarianten | | | | | | | | | | 1 | |

Ersatzteilliste
Spare parts list

Liste des pièces de rechange
Lista parti di ricambio

Lista de repuestos
Onderdelenlijst



6720905745.aa.RS-Brennergehäuse BE 1.3-2.3 GB125

2

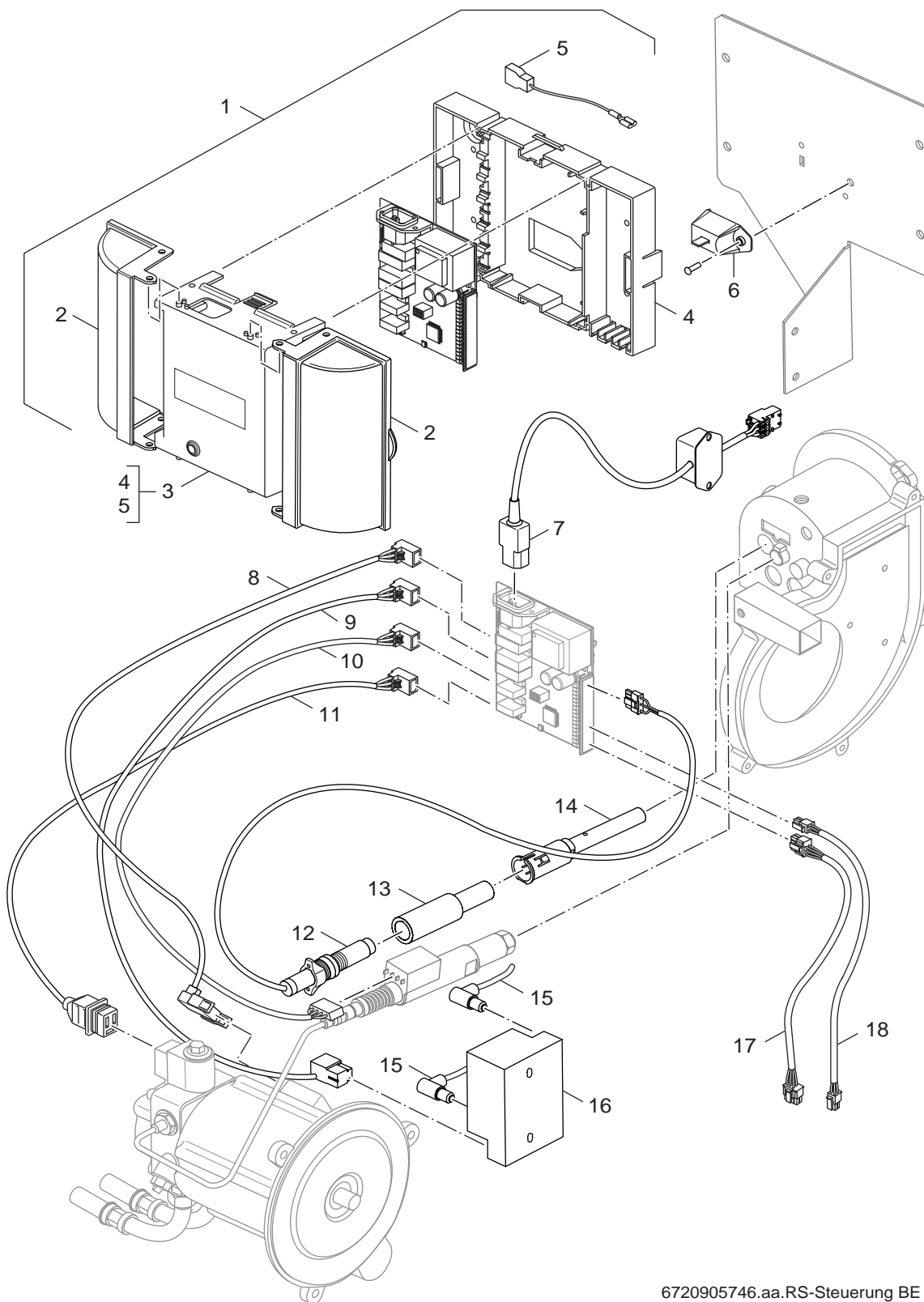
Brennergehäuse
Brennergehäuse
Brennergehäuse
Brennergehäuse
Brennergehäuse
Brennergehäuse

Öl-Gebläsebrenner
BE1.3-2.3 GB125

Ersatzteilliste
Spare parts list

Liste des pièces de rechange
Lista parti di ricambio

Lista de repuestos
Onderdelenlijst

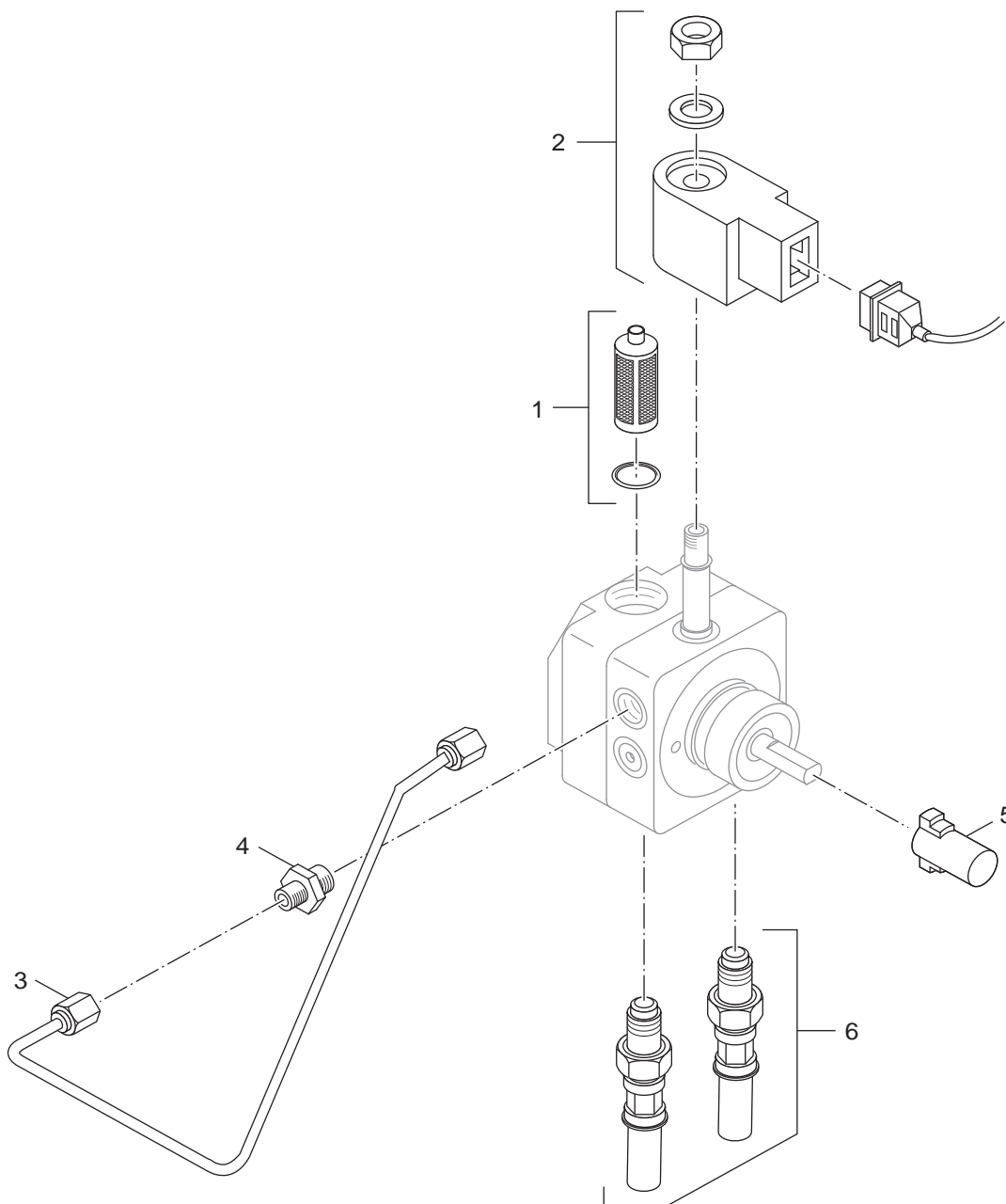


6720905746.aa.RS-Steuerung BE 1.3-2.3 GB125

3

Brennersteuerung
control unit
Commande
Unità di comando
control
Sturing

Öl-Gebläsebrenner
BE1.3-2.3 GB125



6720905747.aa.RS-Ölpumpe Danfoss

4

Ölpumpe Danfoss
oil pump Danfoss
Pompe à fioul Danfoss
Pompa gasolio Danfoss
bomba de gasóleo Danfoss
Oliepomp Danfoss

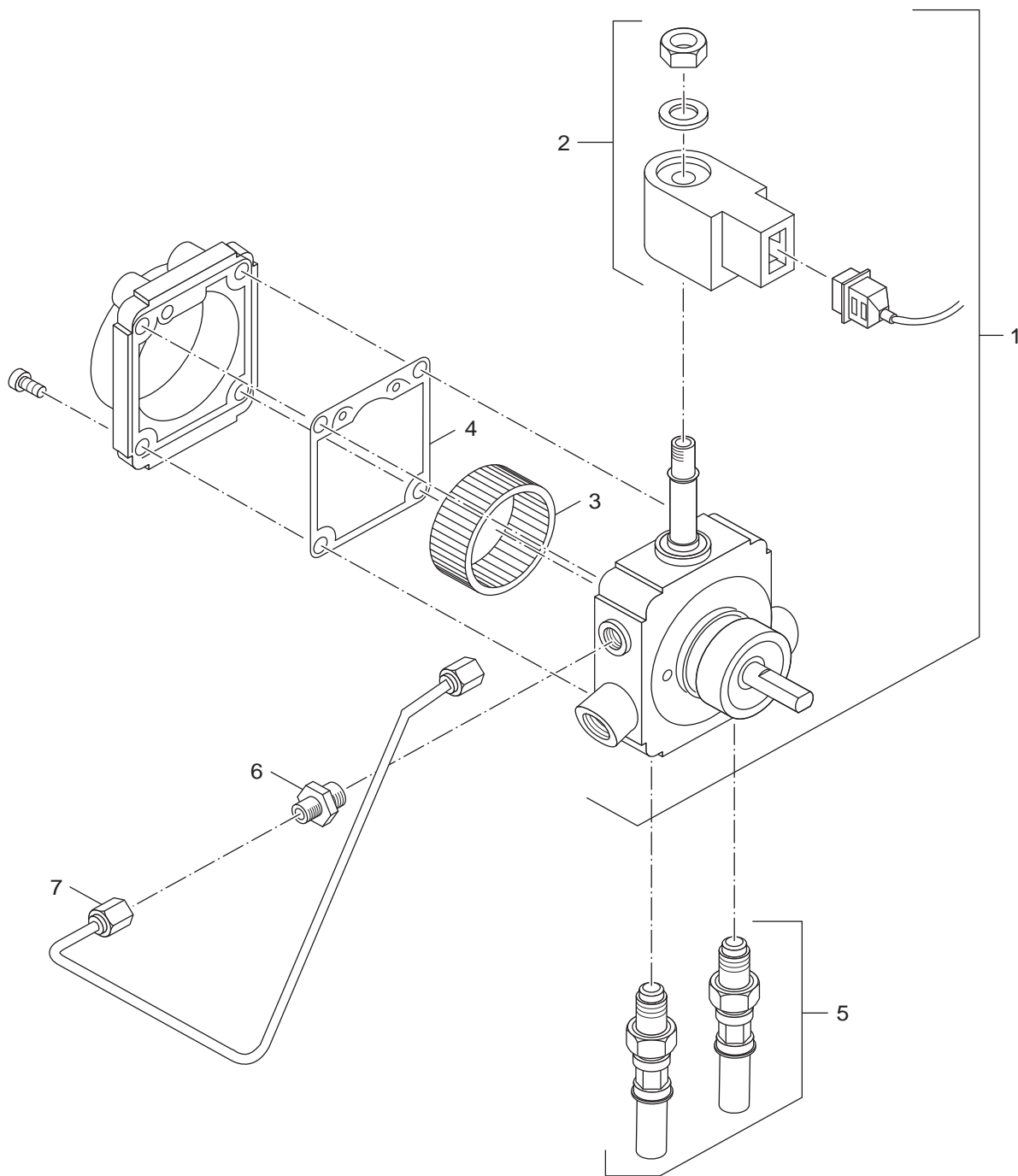
**Öl-Gebläsebrenner
BE1.3-2.3 GB125**

| Pos | Bezeichnung description dénomination descrizioni descripción benaming | Bestell-Nr. Ordering no. Numero de commande n° d'ordine Número el ordenar Bestelnummer | Ölbrenner BE 1.3-18 | Ölbrenner BE 1.3-22 | Ölbrenner BE 2.3-30 | Ölbrenner BE 2.3-35 | | | | | | | | | | | | | | | Bemerkungen Remarks Remarques Osservazioni Observaciones Opmerkingen | |
|--|--|---|---------------------|---------------------|---------------------|---------------------|--|--|--|---|----------|--|--|--|--|--|--|--|--|--|---|--|
| 1 | Filter Ölpumpe BFP 21/31 L3 (2x) | 8 718 572 503 0 | ■ | ■ | ■ | ■ | | | | | | | | | | | | | | | | |
| 2 | Magnetspule BFP 21/31 L3 | 8 718 572 501 0 | ■ | ■ | ■ | ■ | | | | | | | | | | | | | | | | |
| 3 | Ölrohr kompl. HG-A | 63003054 | ■ | ■ | ■ | ■ | | | | | | | | | | | | | | | | |
| 4 | Verschraubung XGE 4LLR 1/8" zyl. gerade | 5883224 | ■ | ■ | ■ | ■ | | | | | | | | | | | | | | | | |
| 5 | Kupplung Motor doppelseitig abgeflacht | 5883147 | ■ | ■ | ■ | ■ | | | | | | | | | | | | | | | | |
| 6 | Schlauchset gerade BE/SE kompl. | 63031508 | ■ | ■ | ■ | ■ | | | | | | | | | | | | | | | | |
| | | | | | | | | | | | | | | | | | | | | | | |
| | | | | | | | | | | | | | | | | | | | | | | |
| | | | | | | | | | | | | | | | | | | | | | | |
| | | | | | | | | | | | | | | | | | | | | | | |
| | | | | | | | | | | | | | | | | | | | | | | |
| | | | | | | | | | | | | | | | | | | | | | | |
| | | | | | | | | | | | | | | | | | | | | | | |
| | | | | | | | | | | | | | | | | | | | | | | |
| | | | | | | | | | | | | | | | | | | | | | | |
| | | | | | | | | | | | | | | | | | | | | | | |
| | | | | | | | | | | | | | | | | | | | | | | |
| | | | | | | | | | | | | | | | | | | | | | | |
| | | | | | | | | | | | | | | | | | | | | | | |
| | | | | | | | | | | | | | | | | | | | | | | |
| | | | | | | | | | | | | | | | | | | | | | | |
| | | | | | | | | | | | | | | | | | | | | | | |
| | | | | | | | | | | | | | | | | | | | | | | |
| | | | | | | | | | | | | | | | | | | | | | | |
| | | | | | | | | | | | | | | | | | | | | | | |
| | | | | | | | | | | | | | | | | | | | | | | |
| | | | | | | | | | | | | | | | | | | | | | | |
| | | | | | | | | | | | | | | | | | | | | | | |
| | | | | | | | | | | | | | | | | | | | | | | |
| | | | | | | | | | | | | | | | | | | | | | | |
| | | | | | | | | | | | | | | | | | | | | | | |
| Öl-Gebläsebrenner BE1.3-2.3 GB125 | | | | | | | | | | Ölpumpe Danfoss oil pump Danfoss Pompe à fioul Danfoss Pompa gasolio Danfoss bomba de gasóleo Danfoss Oliepomp Danfoss | 4 | | | | | | | | | | | |

Ersatzteilliste
Spare parts list

Liste des pièces de rechange
Lista parti di ricambio

Lista de repuestos
Onderdelenlijst



6720905748.aa.RS-Ölpumpe Suntec

5

Ölpumpe Suntec
oil pump Suntec
Pompe à fioul Suntec
Pompa gasolio Suntec
bomba de gasóleo Suntec
Oliepomp Suntec

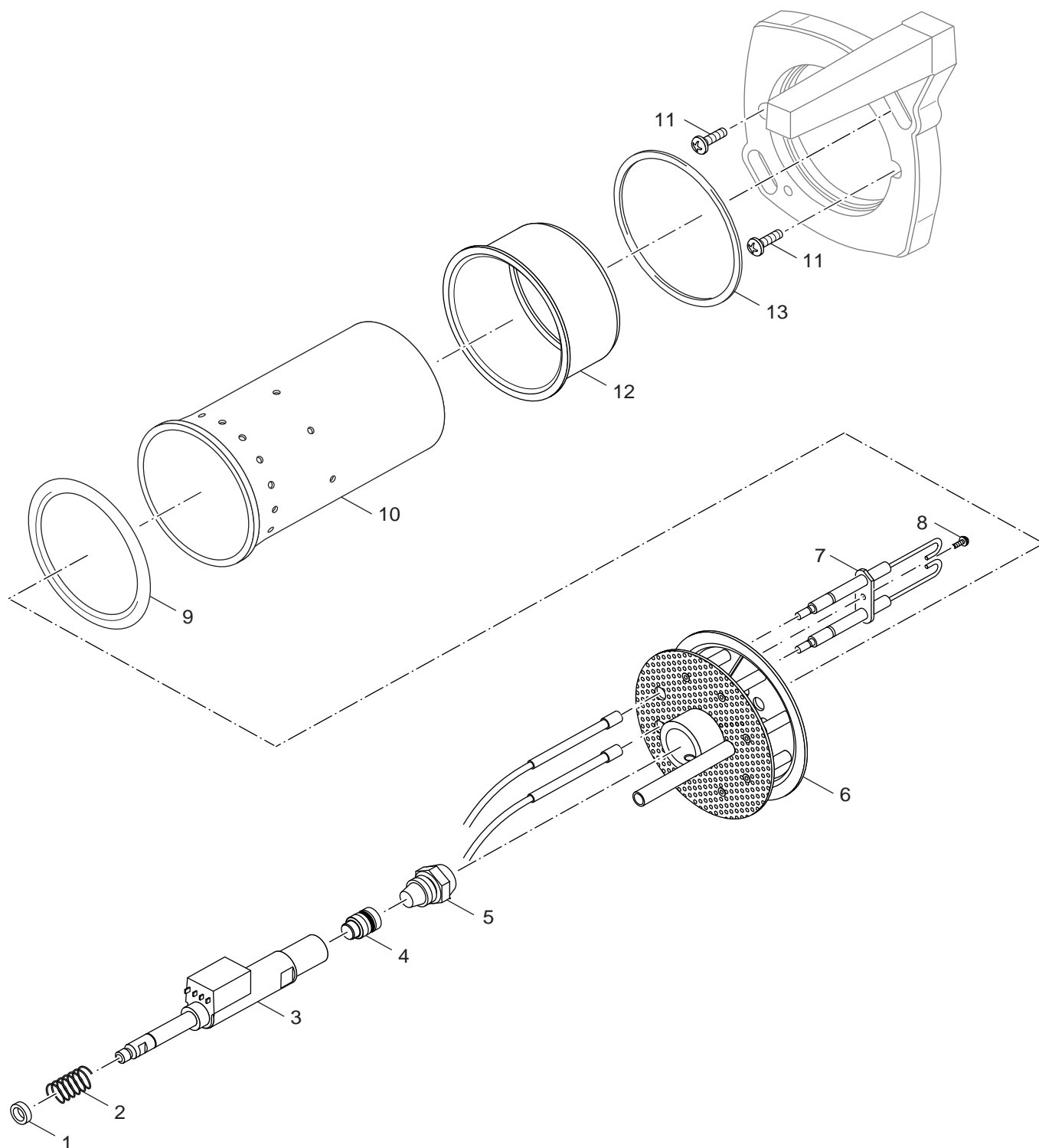
Öl-Gebläsebrenner
BE1.3-2.3 GB125

| Pos | Bezeichnung description dénomination descrizioni descripción benaming | Bestell-Nr. Ordering no. Numero de commande n° d'ordine Número el ordenar Bestelnummer | Ölbrenner BE 1.3-18 | Ölbrenner BE 1.3-22 | Ölbrenner BE 2.3-30 | Ölbrenner BE 2.3-35 | | | | | | | | | | | | | | Bemerkungen Remarks Remarques Osservazioni Observaciones Opmerkingen | |
|--|--|---|---|---------------------|---------------------|---------------------|--|--|--|--|--|--|--|--|--|--|--|--|--|---|--|
| 1 | Ölpumpe Suntec ALE35C 1-stufig Rev 6 | 63015911 | ■ | ■ | ■ | | | | | | | | | | | | | | | | |
| 1 | Ölpumpe Suntec ALE55C 1-stufig Rev 6 | 63015912 | | | | ■ | | | | | | | | | | | | | | | |
| 2 | Magnetspule Suntec220-240V/50-60Hz | 7 747 021 595 | ■ | ■ | ■ | ■ | | | | | | | | | | | | | | | |
| 3 | Filter Ölpumpe A70 Rev.3 AS47 (2x) | 8 718 572 496 0 | ■ | ■ | ■ | ■ | | | | | | | | | | | | | | | |
| 4 | Dichtung Ölpumpe ALE35/55 (2x) | 8 718 572 498 0 | ■ | ■ | ■ | ■ | | | | | | | | | | | | | | | |
| 5 | Schlauchset gerade BE/SE kompl. | 63031508 | ■ | ■ | ■ | ■ | | | | | | | | | | | | | | | |
| 6 | Verschraubung XGE 4LLR 1/8" zyl. gerade | 5883224 | ■ | ■ | ■ | ■ | | | | | | | | | | | | | | | |
| 7 | Ölrohr kompl. HG-A | 63003054 | ■ | ■ | ■ | ■ | | | | | | | | | | | | | | | |
| | | | | | | | | | | | | | | | | | | | | | |
| | | | | | | | | | | | | | | | | | | | | | |
| | | | | | | | | | | | | | | | | | | | | | |
| | | | | | | | | | | | | | | | | | | | | | |
| | | | | | | | | | | | | | | | | | | | | | |
| | | | | | | | | | | | | | | | | | | | | | |
| | | | | | | | | | | | | | | | | | | | | | |
| | | | | | | | | | | | | | | | | | | | | | |
| | | | | | | | | | | | | | | | | | | | | | |
| | | | | | | | | | | | | | | | | | | | | | |
| | | | | | | | | | | | | | | | | | | | | | |
| | | | | | | | | | | | | | | | | | | | | | |
| | | | | | | | | | | | | | | | | | | | | | |
| | | | | | | | | | | | | | | | | | | | | | |
| | | | | | | | | | | | | | | | | | | | | | |
| | | | | | | | | | | | | | | | | | | | | | |
| | | | | | | | | | | | | | | | | | | | | | |
| | | | | | | | | | | | | | | | | | | | | | |
| | | | | | | | | | | | | | | | | | | | | | |
| Öl-Gebläsebrenner BE1.3-2.3 GB125 | | | Ölpumpe Suntec oil pump Suntec Pompe à fioul Suntec Pompa gasolio Suntec bomba de gasóleo Suntec Oliepomp Suntec | | | | | | | | | | | | | | | | | 5 | |

Ersatzteilliste
Spare parts list

Liste des pièces de rechange
Lista parti di ricambio

Lista de repuestos
Onderdelenlijst



6720905749.aa.RS-Mischeinrichtung BE 1.3-2.3 GB125

6

Mischeinrichtung
mixer Suntec
Chambre de melange Suntec
Dispositivo di miscelazione Suntec
máquina de mezcla Suntec
Menginrichtung Suntec

**Öl-Gebläsebrenner
BE1.3-2.3 GB125**

| Übersetzungsliste List of translations | | Liste des traductions Traduzione delle descrizioni | | Lista de traducciones Vertalinglijst | |
|---|--|---|--|--|--|
| Pos | Description | Denomination | Descrizione | Descripción | Benaming |
| 1 | Element of construction | Groupe de construction | Gruppo di costruzione | Grupo de construccion | Montagegroep |
| 1 | oil burner BE 2.3--35 GB125 | Brûleur fioul BE 2.3-35 GB125 | Bruciatore a gasolio BE 2.3-35 GB125 | quemador de gasóleo BE 2.3-35 GB125 | Stookoliebrander BE 2.3-35 GB125 |
| 2 | Element of construction | Groupe de construction | Gruppo di costruzione | Grupo de construccion | Montagegroep |
| 2 | capacitor 4MF, 400V AEG | Condensateur 4MF, 400V AEG | Condensatore 4MF, 400V AEG | condensador 4MF, 400V AEG | condensator 4MF, 400V AEG |
| 3 | Clutch for Motor double side flattened | ACCOUPLLEMENT MOT.- POMPE FIOUL | Accoppiamento Motore | Acoplamiento Motor-bomba | Koppeling Motor |
| 4 | Cylinder head screw DIN912 M5x12 (10x) | Vis cylindrique DIN912 M5x12 (10x) | Cylinder head screw DIN912 M5x12 (10x) | Cylinder head screw DIN912 M5x12 (10x) | Cylinder head screw DIN912 M5x12 (10x) |
| 5 | Stud Threaded M8x25/D13/K105 | Boulon fileté M8x25/D13/K105 | Bullone filettato M8x25/D13/K105 | Espárrago roscado M8x25/D13/K105 | Draadbout M8x25/D13/K105 |
| 6 | cabfe D 14,4mm | Passe fill D 14,4mm | Passacavo D 14,4mm | prensa cable D 14,4mm | kabeldoorvoer D 14,4mm |
| 7 | Pressure test nozzle R 1/8" MS | BUSE MESURE R 1/8 | Nipplo di prova pressione R1/8" Ms | Toma de presión para quemador BE | drukmeetnippel R1/8" Ms |
| 8 | cabfe D 29x11mm | Passe fill D 29x11mm | Passacavo D 29x11mm | prensa cable D 29x11mm | kabeldoorvoer D 29x11mm |
| 9 | Pin threaded DIN916 M6x8 (3x) | Tige filetée DIN916 M6x8 (3x) | Perno filettato DIN916 M6x8 (3x) | Tornillo de sujeción DIN916 M6x8 (3x) | Draadstift DIN916 M6x8 (3x) |
| 10 | Cylinder-head screw DIN7984 M8x25 8.8 A3 | Vis à tête cylindrique DIN7984 M8x25 8.8 | Cylinder-head screw DIN7984 M8x25 8.8 A3 | Cylinder-head screw DIN7984 M8x25 8.8 A3 | Cylinder-head screw DIN7984 M8x25 8.8 A3 |
| 11 | Distribution cylinder HG-A V1 | REPARTITEUR D'AIR HGA V1 | Distribution cylinder HG-A V1 | Distribution cylinder HG-A V1 | Distribution cylinder HG-A V1 |
| 12 | O-ring 92x3 | JOINT ETANCHEITE D 94X2,5 MM4 | O-Ring 92x3 Viton | Junta tórica 92x3 quemador - brida quema | O-Ring 92x3 Viton |
| 13 | gasket D128x2 | Joint D128x2 | Guarnizione D128x2 | junta D128x2 | pakking D128x2 |
| 14 | Burner flange HG-A | BRIDE DE BRULEUR HG-A | Flangia HG-A | Brida Quemador SE 2.0 | Aansluitflens HG-A |
| 15 | gasket 143x143x6 V3 | Joint 143x143x6 V3 | Guarnizione 143x143x6 V3 | junta 143x143x6 V3 | pakking 143x143x6 V3 |
| 16 | impeller D133x38,4mm | Turbine extracteur D133x38,4mm | Ventola del ventilatore D133x38,4mm | turbina del ventilador D133x38,4mm | schoepenrad van de ventilator D133x38,4 |
| 17 | Housing lid HG-A size 1 | Couvercle HG-A Gr. 1 | Coperchio HG-A Gr. 1 | tapa HG-A Gr. 1 | Deksel HG-A Gr. 1 |
| 18 | Screw Pan-Head ISO7380 M5x20 (5x) | Vis à tête bombée ISO7380 M5x20 (5x) | Vite a testa bombata ISO7380 M5x20 (5x) | Tornillo de lenteja ISO7380 M5x20 (5x) | Lenskopschroef ISO7380 M5x20 (5x) |
| 19 | Inlet air duct HG-A size 1 | DEFLECTEUR ASPIRATION HG-A MOD1 17-28KW | Inlet air duct HG-A size 1 | clapeta de aire HG-A tipo 1 | Inlet air duct HG-A size 1 |
| 20 | Inlet silencer HG-A RLU | SILENCIEUX ASPIRATION HG A RLU | Silenziatore HG-A RLU | silenciador de chimenea HG-A RLU | Geruisdemper HG-A RLU |
| 21 | Screw Pan-Head ISO7380 M5x8 (5x) | Vis à tête bombée ISO7380 M5x8 (5x) | Vite a testa bombata ISO7380 M5x8 (5x) | Tornillo de lenteja ISO7380 M5x8 (5x) | Lenskopschroef ISO7380 M5x8 (5x) |
| 22 | Air hose Santo SLDN63 L1450 | Tuyau flexible pour air SLDN63 L1450 | Collettore flessibile aria SLDN63 L1450 | Tubo flexible de aire Santo SLDN63 L1450 | Lucht slang Santo SLDN63 L1450 |
| 23 | Spiral hose clip 60/80mm | Support pour gaine spirale 60/80mm | Fascetta di tenuta 60/80mm | abrazadera 60/80mm | Slangklem 60/80mm |
| 3 | Element of construction | Groupe de construction | Gruppo di costruzione | Grupo de construccion | Montagegroep |
| 1 | SAFe 30 replacement set | SAFe 30 | SAFe 30 | SAFe 30 | SAFe 30 |
| 2 | Housing Terminal cover SAFe | COUVERCLE SAFE | Coperchio SAFe | carcasa cubre clemas SAFe | Afdichting SAFe |
| 3 | SAFe30 V5 | REGUL SAFE 30 V 5 | SAFe30 V5 | SAFe30 V5 | SAFe30 V5 |
| 4 | Housing lower section SAFe | BOITIER ARRIERE SAFE | Involucro Parte inferiore SAFe | Protector Parte inferior SAFe | Bescherming Onderdeel SAFe |
| 5 | Adapter H05V-K 0,75 0,8/2,0 gn/ge | Adaptateur H05V-K 0,75 0,8/2,0 gn/ge | Adattore H05V-K0,75 0,8/2,0 gn/ge | adaptador H05V-K0,75 0,8/2,0 gn/ge | Adapter H05V-K0,75 0,8/2,0 gn/ge |
| 6 | Module BIM30*-LoI/01 V6 GB125 | Module BIM30*-LoI/01 V6 GB125 | Modulo BIM30*-LoI/01 V6 GB125 | Módulo BIM30*-LoI/01 V6 GB125 | Module BIM30*-LoI/01 V6 GB125 |
| 7 | mains cable 1250mm | Cordon branchement reseau 1250mm | Cavo di rete 1250mm | línea de conexión a red 1250mm | Netkabel 1250mm |
| 8 | Connection line SAFe motor BE | CABLE SAFE - MOTEUR | Tubazione di collegamento SAFe-Motore BE | tubo de conexión SAFe-motor BE | Verbindingsleiding SAFe-Motor BE |
| 9 | Ignition cable SAFe 230 V cable SAFe 230 | CABLE ALLUMAGE - SAFE | Cavetto accensione SAFe 230V | Conductor de alta tensión Safe 230V | Hoogspanningsleiding SAFe 230V |
| 10 | Connection line Oil pre-heater SAFe BE | CABLE RECHAUFFEUR - SAFE | Tubazione di collegamento SAFe BE | Cable Conexión Caja Quem.Safe BE | Verbindingsleiding SAFe BE |
| 11 | Connection line fuel 1 SAFe | Cable Electrovanne 1 - SAFe | Tubazione di collegamento 1 SAFe | tubo de conexión 1 SAFe | Verbindingsleiding 1 SAFe |
| 12 | UV-flaming sensor QRC SAFe BZ/BE_3 | DETECT FLAM QRC SAFE BZ/BE | UV-flaming sensor QRC SAFe BZ/BE_3 | fotocélula QRC SAFe BE_3 | fotocel QRC SAFe BZ/BE_3 |
| 13 | Support pipe extension BE_3 RLU V2 | Tube de vise cellule BE_3 RLU V2 | Support pipe extension BE_3 RLU V2 | Tubo ampliación BE 3 RLU V2 | Support pipe extension BE_3 RLU V2 |
| 14 | Holds pipe HG V4 | TUBE MAINTIEN HG BRULEUR BE V4 | Holds pipe HG V4 | Tubo Agarre Caja Control Quemador BE1.3/ | Holds pipe HG V4 |
| 15 | Ignition cable BE/BE-A | CABLE ALLUM BE-A | Zündleitung BE-A | Cable encendido para quemador BE | Zündleitung BE-A |
| 16 | Ignitor EBI Danfoss V3 Spare part | TRANSFORMATEUR ALLUMAGE EBI Danfoss V3 | | | |
| 17 | Data cable SAFe MC10 BE | CABLE BUS SAFE - MC10 | Tubazione di collegamento SAFe MC10 BE | cable de datos SAFe MC 10 BE | Verbindingsleiding SAFe MC10 BE |
| 18 | Data strand SAFe MC10 | Câble de données SAFe MC10 | Tubazione di collegamento SAFe MC10 | Cable SAFe MC10 | Verbindingsleiding SAFe MC10 |
| 19 | Con cable sensor SAFeBE grommet | CABLE SAFE - SONDE CHAUDIERE | Tubazione di collegamento SAFe BE | Piezas De conexión SAFe BE | Verbindingsleiding SAFe BE |
| 4 | Element of construction | Groupe de construction | Gruppo di costruzione | Grupo de construccion | Montagegroep |
| 1 | filter oil pump BFP 21/31 L3 (2x) | Filtre Pompe à fioul BFP 21/31 L3 (2x) | Filtro Pompa gasolio BFP 21/31 L3 (2x) | filtro bomba gasóleo BFP 21/31 L3 (2x) | Filter Oliepomp BFP 21/31 L3 (2x) |
| 2 | Coil solenoid BFP 21/31 L3 | Electro-vanne BFP 21/31 L3 | Bobina BFP 21/31 L3 | bobina BFP 21/31 L3 | Spoel BFP 21/31 L3 |
| 3 | Oil pipe HG-A | TUBE ALIM FIOUL BE-A | Oil pipe HG-A | Tubo Gas Oil | Oil pipe HG-A |
| 4 | Screw connection XGE 4LLR 1/8" cyl. | RACC DROIT VIS XGE 4 LLR 1/8" | Raccordo XGE 4LLR 1/8" | Conexión bomba-portatoberas 1/8" | Koppeling XGE 4LLR 1/8" |
| 5 | Clutch for Motor double side flattened | ACCOUPLLEMENT MOT.- POMPE FIOUL | Accoppiamento Motore | Acoplamiento Motor-bomba | Koppeling Motor |
| 6 | Hose set straight BE/SE | FLEXIBLE BE/SE CPL | Tubo flessibile Set BE/SE in linea rett | Set Tubos Acometida Gasóleo G125 | Slang Set BE/SE recht |
| 5 | Element of construction | Groupe de construction | Gruppo di costruzione | Grupo de construccion | Montagegroep |
| 1 | Oil pump Suntec ALE35C single stage | POMPE FIOUL SUNTEC ALE 35C B | Ölpumpe Suntec ALE35C Rev 6 | Bomba gasoleo Suntec ALE35C | Ölpumpe Suntec ALE35C Rev 6 |
| 2 | solenoid coil Suntec 220-240V/50-60Hz | Bobine d'excitation Suntec220-240V/50-60 | bobina magnetica Suntec 220-240V/50-60Hz | Bobina inductora Suntec 220-240V/50-60Hz | magneetspoel Suntec 220-240V/50-60Hz |
| 3 | filter oil pump A70 Rev.3 AS 47 (2x) | Filtre Pompe à fioul A70 Rev.3 AS47 (2x) | Filtro Pompa gasolio A70 Rev.3 AS47 (2x) | filtro bomba gasóleo A70 Rev.3 AS47 (2x) | Filter Oliepomp A70 Rev.3 AS 47 (2x) |
| 4 | gasket oil pump ALE 35/55 (2x) | Joint Pompe à fioul AS 47 (2x) | Guarnizione Pompa gasolio ALE 35/55 | junta bomba de gasóleo ALE 35/55 (2x) | pakking Oliepomp ALE 35/55 (2x) |

Bosch Thermotechnik GmbH
Sophienstraße 30-32
D-35576 Wetzlar
www.buderus.de

Buderus