

TECHNICAL DATA SHEET

TECHNICAL DATA SHEET COM 085A (2020/08)



BOSCH

Invented for life

Condens 7000F Floor Standing Condensing Boiler:

Condens 7000F – 150	25.7 – 150kW	@50/30°C
Condens 7000F – 200	37.3 – 200kW	@50/30°C
Condens 7000F – 250	42.9 – 250kW	@50/30°C
Condens 7000F – 300	51.4 – 300kW	@50/30°C



- ▶ Bosch branded commercial designed condensing boiler with aluminium heat exchanger
- ▶ High efficiency up to 108.4% (NCV)
- ▶ Individual outputs between 150kW and 300kW available in left or right hand versions
- ▶ Pre-mix gas burner capable of up to 1:6 modulation range and NOx emission <40mg/kWh
- ▶ Up to 6 bar operating pressure and 95°C maximum flow temperature*
- ▶ Delta T up to 50°K
- ▶ Easy transport, installation and service
- ▶ Can be cascaded in pairs with the use of available accessories
- ▶ System safety accessories available

Whilst it is always our intention to fully assist, it is essential to recognise that all information given by the company in response to an enquiry of any nature is provided in good faith and based upon the information provided with the enquiry. We recommend that advice should always be checked with your installer or contract partner. Consequently, the company cannot be held responsible for any liability relating to the use or repetition of such information or part thereof. In addition, whilst making every reasonable effort to monitor the performance and quality of our supply, installation and service network, we do not accept responsibility for the workmanship or operation of any third party company that the company may have promoted either in conversation, e-mail, or other communication. Similarly, the views and opinions expressed in communication with individuals within the company may not reflect that of the business as a whole. You can find this, and additional information on the Bosch commercial website at: www.bosch-thermotechnology.com/gb/en/commercial-industrial/home

Worcester, Bosch Group, Cotswold Way, Warndon, Worcester WR4 9SW. Commercial & Industrial: 01905 752565. Commercial.Industrial@uk.bosch.com

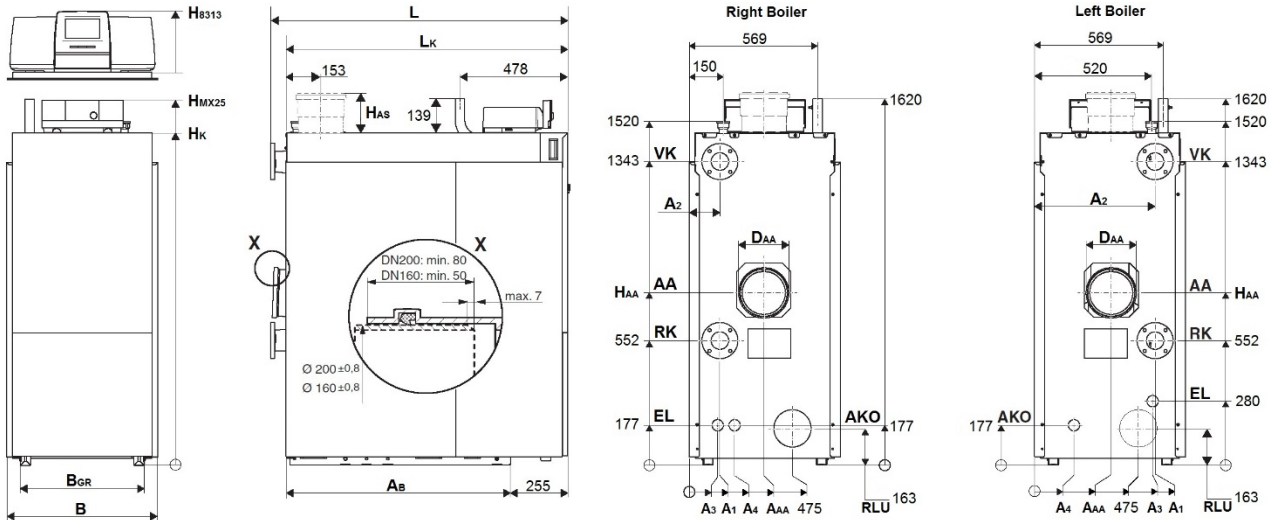
TECHNICAL DATA SHEET

TECHNICAL DATA SHEET COM 085A (2020/08)



BOSCH
Invented for life

Condens 7000F Dimensions (150-300kW)



Condens 7000F		Unit	150R	150L	200R	200L	250R	250L	300R	300R
Height (Incl MX25 Controls) (Incl 8313 Controls)	H_K	mm	1470		1470		1470		1470	
	H_{MX25}	mm	1624		1624		1624		1624	
	H_{8313}	mm	1710		1710		1710		1710	
Length (Boiler Block) (Base Frame)	L	mm	914		1317		1317		1317	
	L_K	mm	845		1250		1250		1250	
	A_B	mm	695		977		977		977	
Width (Base Frame)	B	mm	670		670		670		670	
	B_{GR}	mm	550		550		550		550	
Transport weight		kg	139		175		214		239	
Total Weight		kg	184		231		258		283	
Flue gas connection	$\text{Ø} AA$	mm	DN160		DN200		DN200		DN200	
	H_{AA}	mm	700		763		763		763	
	A_{AA}	mm	330	340	330	339	330	339	330	339
Boiler flow connection	$\text{Ø} VK$	mm	DN50		DN65		DN65		DN65	
	A_2	mm	135	534	135	534	135	534	135	534
Boiler return connection	$\text{Ø} RK$	mm	DN50		DN65		DN65		DN65	
	A_1	mm	135	534	135	534	135	534	135	534
Safety valve connection	VSL	Inch	R1½		R1½		R1½		R1½	
Gas Connection	GAS	Inch	R1½		R1½		R1½		R1½	
Condensate Connection	AKO	mm	DN20		DN20		DN20		DN20	
Balanced Flue Connection*	RLU	mm	110		160		160		160	
Cold fill / drain	H_{EL}	mm	177	280	177	280	177	280	177	280

*The balanced flue connection is available as an accessory

Whilst it is always our intention to fully assist, it is essential to recognise that all information given by the company in response to an enquiry of any nature is provided in good faith and based upon the information provided with the enquiry. We recommend that advice should always be checked with your installer or contract partner. Consequently, the company cannot be held responsible for any liability relating to the use or repetition of such information or part thereof. In addition, whilst making every reasonable effort to monitor the performance and quality of our supply, installation and service network, we do not accept responsibility for the workmanship or operation of any third party company that the company may have promoted either in conversation, e-mail, or other communication. Similarly, the views and opinions expressed in communication with individuals within the company may not reflect that of the business as a whole. You can find this, and additional information on the Bosch commercial website at: www.bosch-thermotechnology.com/gb/en/commercial-industrial/home

TECHNICAL DATA SHEET

TECHNICAL DATA SHEET COM 085A (2020/08)



BOSCH

Invented for life

Condens 7000F Technical Data

Condens 7000F		Unit	150	200	250	300
Nominal heat output @ 50/30°C	Full load	kW	150.0	200.0	250.0	300.0
	Part load	kW	25.7	37.3	42.9	51.4
Nominal heat output @ 80/60°C	Full load	kW	139.8	186.1	232.9	280.0
	Part load	kW	23.2	33.7	38.8	46.7
Rated heat input	Full load	kW	142.9	189.9	237.9	285.7
	Part load	kW	23.8	34.5	39.6	47.6
Net efficiency (NCV) Part Load		%	107.6	108.2	108.4	108.0
Net efficiency (NCV) Full load		%	97.8	98.0	97.9	98.0
Seasonal efficiency (L2B)		%	95.3	95.7	95.9	95.6
Maximum differential (delta T)	Full load	k	50			
Maximum flow temperature*		°C	95 (85)			
Maximum working pressure		bar	6			
Safety temperature cut-out		°C	110			
Water content		ltr	23.4	33.6	38.8	44.0
Water flow resistance	ΔT 50k	mbar	4.4	4.0	4.0	4.0
	ΔT 40k	mbar	7.0	6.4	6.0	6.0
	ΔT 30k	mbar	13.2	11.8	10.8	10.7
	ΔT 20k	mbar	30.0	26.2	24.6	21.2
	ΔT 10k	mbar	109.1	107.3	100.0	90.0
Flue gas temperature @ 50/30°C	Full load	°C	45	45	46	46
	Part load	°C	30	30	31	30
Flue gas temperature @ 80/60°C	Full load	°C	67	65	67	68
	Part load	°C	57	56	56	58
Flue gas mass flow rate @ 50/30°C	Full load	g/s	62.7	82.3	106.9	125.7
	Part load	g/s	10.0	12.7	16.3	20.8
Flue gas mass flow rate @ 80/60°C	Full load	g/s	63.6	84.1	110.2	129.4
	Part load	g/s	10.6	14.4	17.3	22.2
CO ₂ content – Natural gas (G20)		%	9.2	9.2	9.2	9.2
NO _x rating @ 0% oxygen, dry		mg/kWh	38	40	36	40
Available flue pressure		Pa	150			
Sound emission level @ 1m	Full load	dB(A)	59	59	58	63
Electrical power consumption	Full load	W	250	234	298	336
	Part load	W	40	42	41	48
Power supply		V/Hz	230/50			
Electrical ingress protection			IPX0D			
CE certification, product ID no.			CE – 0085CS0098			
Gas pressure – Natural gas (G20)		mbar	17 -25	17 – 25	17 – 25	17 - 25
Gas rating – Natural gas (G20)		m ³ /hr	15.1	20.1	25.2	30.2
Gas rating – LPG (G31)		m ³ /hr	5.5	7.4	9.2	11.0

*The maximum flow temperature is dependent on controls used. Maximum of 95°C is possible with 8000 series controls, with the MX controls, the maximum temperature is reduced to 85°C

Whilst it is always our intention to fully assist, it is essential to recognise that all information given by the company in response to an enquiry of any nature is provided in good faith and based upon the information provided with the enquiry. We recommend that advice should always be checked with your installer or contract partner. Consequently, the company cannot be held responsible for any liability relating to the use or repetition of such information or part thereof. In addition, whilst making every reasonable effort to monitor the performance and quality of our supply, installation and service network, we do not accept responsibility for the workmanship or operation of any third party company that the company may have promoted either in conversation, e-mail, or other communication. Similarly, the views and opinions expressed in communication with individuals within the company may not reflect that of the business as a whole. You can find this, and additional information on the Bosch commercial website at: www.bosch-thermotechnology.com/gb/en/commercial-industrial/home

TECHNICAL DATA SHEET

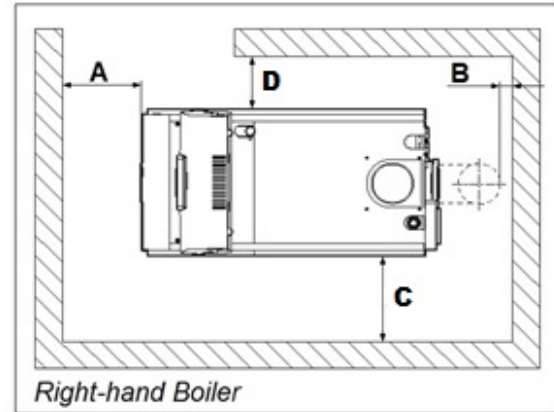
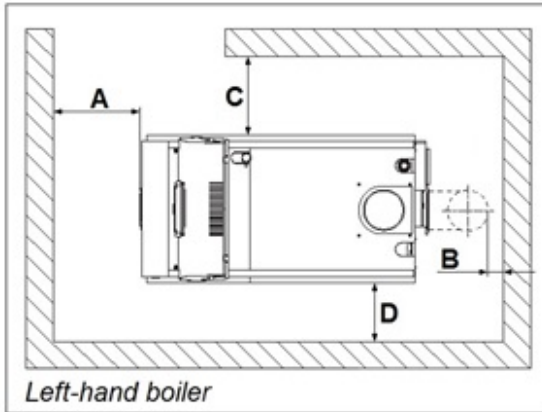
TECHNICAL DATA SHEET COM 085A (2020/08)



BOSCH

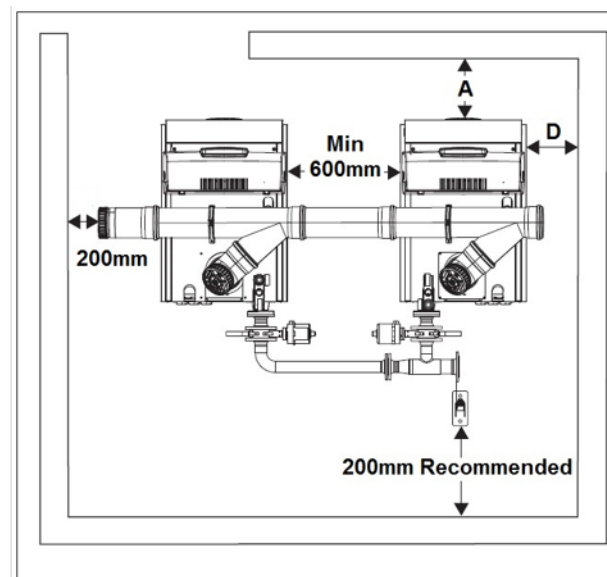
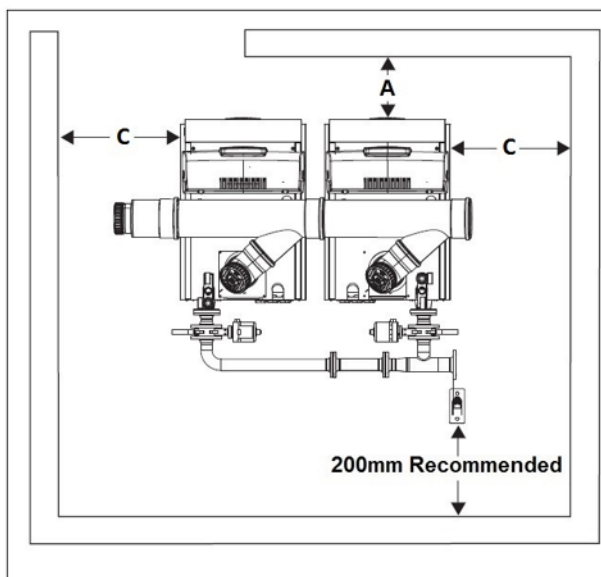
Invented for life

Condens 7000F Clearances



Wall clearance [mm]		
Dimension	Minimum	Recommended
A	800	1000
B*	150	400
C	600	1000
D	100	400

*The rear clearance is to the outside edge of the flue



Whilst it is always our intention to fully assist, it is essential to recognise that all information given by the company in response to an enquiry of any nature is provided in good faith and based upon the information provided with the enquiry. We recommend that advice should always be checked with your installer or contract partner. Consequently, the company cannot be held responsible for any liability relating to the use or repetition of such information or part thereof. In addition, whilst making every reasonable effort to monitor the performance and quality of our supply, installation and service network, we do not accept responsibility for the workmanship or operation of any third party company that the company may have promoted either in conversation, e-mail, or other communication. Similarly, the views and opinions expressed in communication with individuals within the company may not reflect that of the business as a whole. You can find this, and additional information on the Bosch commercial website at: www.bosch-thermotechnology.com/gb/en/commercial-industrial/home