

TECHNICAL DATA SHEET

TECHNICAL DATA SHEET COM086A (2020/09)



BOSCH

Invented for life

Condens 7000F Floor Standing Condensing Boiler

Condens 7000F – 75	17.2 – 75 kW	@50/30°C
Condens 7000F – 100	17.2 – 100 kW	@50/30°C



- ▶ Bosch branded commercial designed condensing boiler with aluminium heat exchanger
- ▶ High efficiency up to 109.3% (NCV @40/30)
- ▶ Outputs between 75kW and 100kW available in left or right hand versions
- ▶ Pre-mix gas burner capable of up to 1:6 modulation range and NOx emission <54mg/kWh
- ▶ Up to 6 bar operating pressure and 95°C maximum flow temperature*
- ▶ Delta T up to 50°K
- ▶ Easy transport, installation and service
- ▶ Can be cascaded in pairs with the use of available accessories
- ▶ System safety accessories available

Whilst it is always our intention to fully assist, it is essential to recognise that all information given by the company in response to an enquiry of any nature is provided in good faith and based upon the information provided with the enquiry. We recommend that advice should always be checked with your installer or contract partner. Consequently, the company cannot be held responsible for any liability relating to the use or repetition of such information or part thereof. In addition, whilst making every reasonable effort to monitor the performance and quality of our supply, installation and service network, we do not accept responsibility for the workmanship or operation of any third party company that the company may have promoted either in conversation, e-mail, or other communication. Similarly, the views and opinions expressed in communication with individuals within the company may not reflect that of the business as a whole. You can find this, and additional information on the Bosch commercial website at: www.bosch-thermotechnology.com/gb/en/commercial-industrial/home

Worcester, Bosch Group, Cotswold Way, Warndon, Worcester WR4 9SW. Commercial & Industrial: 01905 752565. Commercial.Industrial@uk.bosch.com

TECHNICAL DATA SHEET

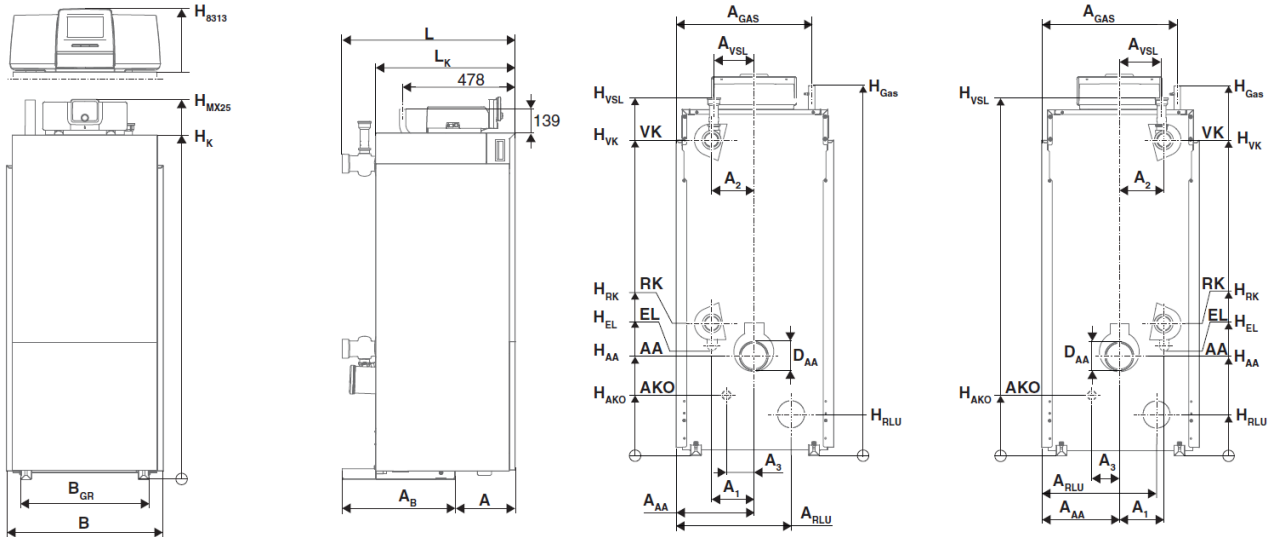
TECHNICAL DATA SHEET COM086A (2020/09)



BOSCH

Invented for life

Condens 7000F Dimensions (75-100kW)



Condens 7000F		Unit	75R	75L	100R	100L
Height	H_K	mm	1470		1470	
	(Incl MX25 Controls) H_{MX25}	mm	1624		1624	
	(Incl 8313 Controls) H_{8313}	mm	1710		1710	
Length	L	mm	736		736	
	(Boiler Block) L_K	mm	594		594	
	(Base Frame) A_B	mm	480		480	
Width	B	mm	670		670	
	(Base Frame) B_{GR}	mm	550		550	
Transport weight		kg	105		105	
Total Weight		kg	132		132	
Flue gas connection	\varnothing_{AA}	mm	DN110		DN110	
	H_{AA}	mm	424		424	
	A_{AA}	mm	330	340	330	340
Boiler flow connection	\varnothing_{VK}	mm	2"		2"	
	A_2	mm	150	520	150	520
Boiler return connection	\varnothing_{RK}	mm	2"		2"	
	A_1	mm	150	520	150	520
Safety valve connection	VSL	Inch	R1"		R1"	
Gas Connection	GAS	Inch	R $\frac{3}{4}$		R $\frac{3}{4}$	
Condensate Connection	AKO	mm	DN20		DN20	
Balanced Flue Connection*	RLU	mm	110		160	
Cold fill / drain	H_{EL}	mm	455	455	455	455

*The balanced flue connection is available as an accessory

Whilst it is always our intention to fully assist, it is essential to recognise that all information given by the company in response to an enquiry of any nature is provided in good faith and based upon the information provided with the enquiry. We recommend that advice should always be checked with your installer or contract partner. Consequently, the company cannot be held responsible for any liability relating to the use or repetition of such information or part thereof. In addition, whilst making every reasonable effort to monitor the performance and quality of our supply, installation and service network, we do not accept responsibility for the workmanship or operation of any third party company that the company may have promoted either in conversation, e-mail, or other communication. Similarly, the views and opinions expressed in communication with individuals within the company may not reflect that of the business as a whole. You can find this, and additional information on the Bosch commercial website at: www.bosch-thermotechnology.com/gb/en/commercial-industrial/home

TECHNICAL DATA SHEET

TECHNICAL DATA SHEET COM086A (2020/09)



BOSCH

Invented for life

Condens 7000F Technical Data

Condens 7000F		Unit	75	100
Nominal heat output @ 50/30°C	Full load	kW	75.0	100.0
	Part load	kW	17.2	17.2
Nominal heat output @ 80/60°C	Full load	kW	69.4	93.0
	Part load	kW	15.5	15.5
Rated heat input	Full load	kW	70.8	95.1
	Part load	kW	15.8	15.8
Net efficiency (NCV) Part Load		%	108.4	108.1
Net efficiency (NCV) Full load		%	98.0	97.8
Seasonal efficiency (L2B)		%	95.9	95.6
Maximum differential (delta T)	Full load	k	50	
Maximum flow temperature*		°C	95 (85)	
Maximum working pressure		bar	6	
Safety temperature cut-out		°C	110	
Water content		ltr	18.2	18.2
Water flow resistance	ΔT 50k	mbar	2	5
	ΔT 40k	mbar	2.5	7
	ΔT 30k	mbar	7	12
	ΔT 20k	mbar	15	25
	ΔT 10k	mbar	70	110
Flue gas temperature @ 50/30°C	Full load	°C	41	46
	Part load	°C	30	31
Flue gas temperature @ 80/60°C	Full load	°C	64	68
	Part load	°C	57	57
Flue gas mass flow rate @ 50/30°C	Full load	g/s	31.8	42.1
	Part load	g/s	6.8	6.8
Flue gas mass flow rate @ 80/60°C	Full load	g/s	32.5	43.1
	Part load	g/s	7.1	7.1
CO ₂ content – Natural gas (G20)		%	9.2	9.2
NO _x rating @ 0% oxygen, dry		mg/kWh	45	54
Available flue pressure		Pa	150	
Sound emission level @ 1m	Full load	dB(A)	57.4	62.3
Electrical power consumption	Full load	W	83	156
	Part load	W	28	28
Power supply		V/Hz	230/50	
Electrical ingress protection			IPX0D	
CE certification, product ID no.			CE – 0085CS0098	
Gas pressure – Natural gas (G20)		mbar	17 -25	17 – 25
Gas rating – Natural gas (G20)		m ³ /hr	7.5	10.1
Gas rating – LPG (G31)		m ³ /hr	2.9	3.9

*The maximum flow temperature is dependent on controls used. Maximum of 95°C is possible with 8000 series controls, with the MX controls, the maximum temperature is reduced to 85°C

Whilst it is always our intention to fully assist, it is essential to recognise that all information given by the company in response to an enquiry of any nature is provided in good faith and based upon the information provided with the enquiry. We recommend that advice should always be checked with your installer or contract partner. Consequently, the company cannot be held responsible for any liability relating to the use or repetition of such information or part thereof. In addition, whilst making every reasonable effort to monitor the performance and quality of our supply, installation and service network, we do not accept responsibility for the workmanship or operation of any third party company that the company may have promoted either in conversation, e-mail, or other communication. Similarly, the views and opinions expressed in communication with individuals within the company may not reflect that of the business as a whole. You can find this, and additional information on the Bosch commercial website at: www.bosch-thermotechnology.com/gb/en/commercial-industrial/home

TECHNICAL DATA SHEET

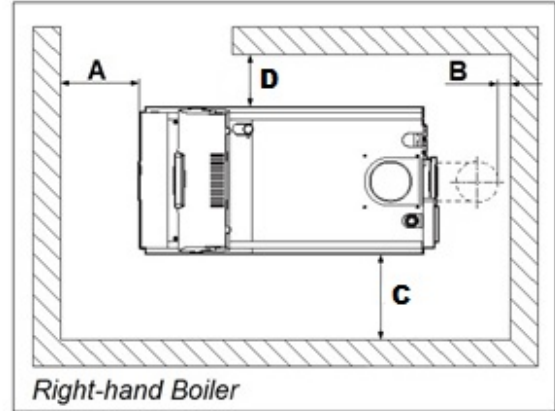
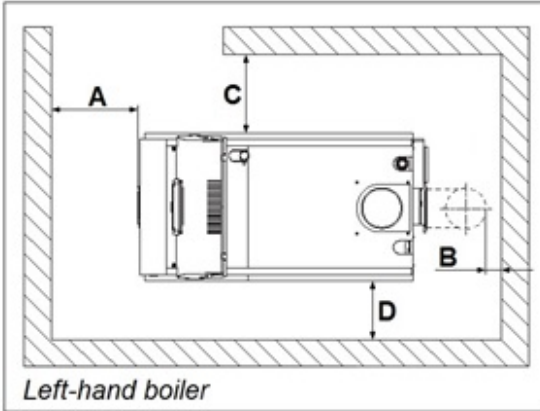
TECHNICAL DATA SHEET COM086A (2020/09)



BOSCH

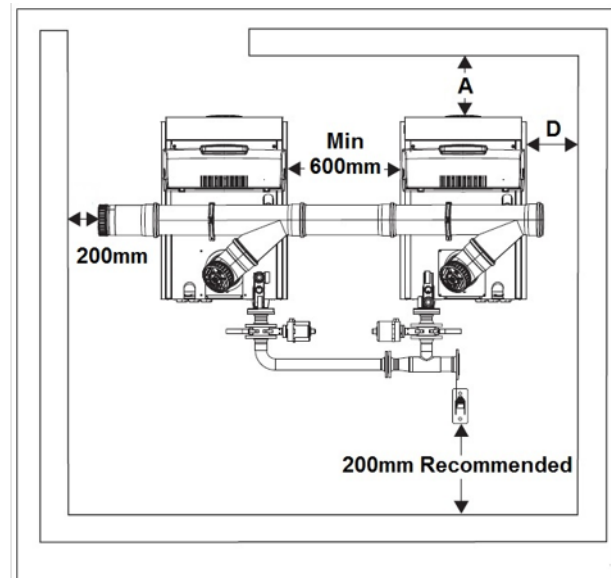
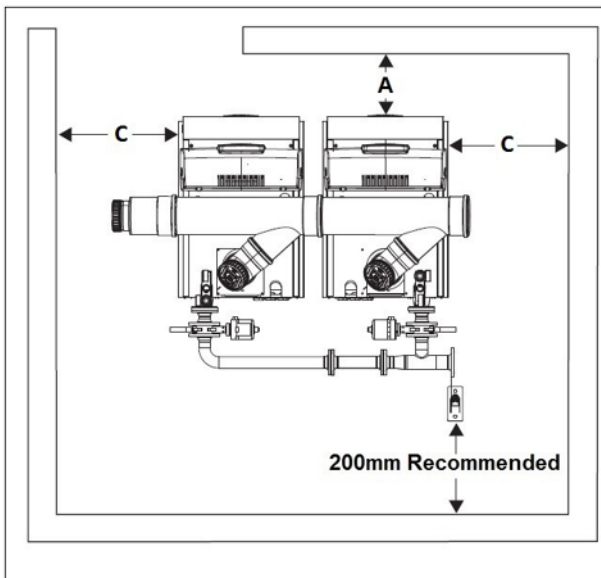
Invented for life

Condens 7000F Clearances



Wall clearance [mm]		
Dimension	Minimum	Recommended
A	800	1000
B*	150	400
C	600	1000
D	100	400

*The rear clearance is to the outside edge of the flue



Whilst it is always our intention to fully assist, it is essential to recognise that all information given by the company in response to an enquiry of any nature is provided in good faith and based upon the information provided with the enquiry. We recommend that advice should always be checked with your installer or contract partner. Consequently, the company cannot be held responsible for any liability relating to the use or repetition of such information or part thereof. In addition, whilst making every reasonable effort to monitor the performance and quality of our supply, installation and service network, we do not accept responsibility for the workmanship or operation of any third party company that the company may have promoted either in conversation, e-mail, or other communication. Similarly, the views and opinions expressed in communication with individuals within the company may not reflect that of the business as a whole. You can find this, and additional information on the Bosch commercial website at: www.bosch-thermotechnology.com/gb/en/commercial-industrial/home