

Logamatic 4323

For installers

Read carefully prior to
installation

1	Safety	3
1.1	Regarding these instructions	3
1.2	Correct use	3
1.3	Standards and guidelines	3
1.4	Symbol key	3
1.5	Observe this information	3
1.6	Important notes on commissioning	4
1.7	Cleaning the control unit	4
1.8	Disposal	4
2	Installation	5
2.1	Standard delivery	5
2.2	Location requirements	5
2.3	Notes regarding the electrical installation	5
2.4	Device installation	6
3	Removing and fitting modules	10

1 Safety

1.1 Regarding these instructions

These installation instructions contains important information regarding the safe and appropriate installation of the Logamatic 4323 control unit.

These installation instructions are designed for heating contractors who – due to their training and experience – are knowledgeable in handling heating systems and water installations. Only carry out installation measures yourself if you have this technical expertise.

Explain to the customer the function and operation of the device.


1.2 Correct use

The Logamatic 4323 control unit is designed exclusively to regulate and control heating systems in detached houses, apartment buildings, residential complexes and other types of buildings.

1.3 Standards and guidelines

For the general electrical installation, create a permanent connection according to BS EN 60335-1 2002 + A2:2006.

The cable connection is provided for wiring on unfinished walls, finished walls or through cable trunking.

 The design and operation of this product conform to European Directives and the supplementary national requirements. Its conformity is demonstrated by the CE designation.

You can view the Declaration of Conformity on the Internet at www.buderus.de/konfo or request a copy from your local Buderus office.

1.4 Symbol key

Two levels of danger are identified and signified by the following terms:



WARNING!

RISK TO LIFE

Identifies possible dangers associated with a product which might lead to serious injury or death if appropriate care is not taken.



CAUTION!

RISK OF INJURY/ SYSTEM DAMAGE

- Indicates a potentially dangerous situation that could lead to minor or moderately serious injuries or to material losses.



USER NOTE

User tips for the optimum utilisation and setting of the appliance plus useful information.

1.5 Observe this information

- Only operate the control units as intended and when they are in perfect working order.
- Carefully read these installation instructions before carrying out any work on the control unit.



WARNING!

RISK TO LIFE

from electric shock.

- The installation, electrical wiring, commissioning, electrical connection, as well as maintenance and repair work must only be carried out by a competent person who adheres to all current technical regulations and requirements.
- Observe all local regulations.



WARNING!

RISK TO LIFE

from electric shock.

- Ensure that all electrical work is carried out by an authorised electrician.
- Before opening the control unit: Isolate all poles of the mains power supply and secure against unintentional reconnection.

**CAUTION!****RISK OF INJURY/
SYSTEM DAMAGE**

from operator error.

Operator errors can result in injury and/or material losses.

- This appliance must only be operated by a responsible adult who has been instructed in, understands and is aware of its operating conditions and effects.
- Ensure that only personnel able to operate the appliance correctly have access to it.

**CAUTION!****DAMAGE TO THE DEVICE**

from electrostatic discharge (ESD).

- Before unpacking the modules, touch an electrically conducting object that is earthed, to discharge any static electricity from your body.

**CAUTION!****DAMAGE TO THE DEVICE**

from dust and dirt.

- Keep the control unit in its packaging for as long as possible. Store the control unit away from the building site.

**USER NOTE**

Ensure that a regulation isolator is available to disconnect all poles from the mains power supply. If no isolator is available, you must fit one.

**USER NOTE**

Only use original Buderus spare parts. Losses as a result of the use of spare parts not supplied by Buderus are excluded from the Buderus warranty.

1.6 Important notes on commissioning

- Before switching the control unit on, check that its manual switches and those on the function modules are set to "AUT".
- The control unit operating instructions contain a setting record for use by the system operator. During commissioning, make a note in this record of all settings and heating circuit allocations.

1.7 Cleaning the control unit

- The control unit should only be cleaned with a damp cloth.

1.8 Disposal

- Dispose of the control unit packaging in an environmentally responsible manner.
- Electronic components must not be disposed of with general domestic waste. Dispose of old control units in an environmentally responsible manner through an approved organisation.

When disposing of the control unit, remove the lithium battery from the CM431 module inside the control unit and dispose of it separately.

2 Installation

2.1 Standard delivery

- Logamatic 4323 control unit
- MEC2 programming unit
- Various sensors
- Installation material including screws, wall plugs and fuse
- Technical documentation with installation instructions, service and operating instructions and wiring diagram

2.2 Location requirements

The Logamatic 4323 control unit is designed for wall mounting. It can be mounted in the basement or in the boiler room. The installation wall should be level. Any slight unevenness can be compensated for with shims.

2.3 Notes regarding the electrical installation

If permitted by your local power supply utility, we recommend cable type H05VV-FxG for the 230 V area, to ensure easier installation.

(If cables contact components that are > 75 °C, use cable type H05V2V2-FxG.)

Low voltage cables should also be implemented as flexible cables with a maximum cross-section of 3 x 0.75 mm².

Routing cables in cable ducts is recommended.

Apply strain relief to cables on site.



USER NOTE

EMC recommendations for cable routing.

To minimise EMC problems as far as possible, separate the 230 V cables from low voltage cables/leads outside the control unit (e.g. one cable duct for 230 V cables, another for LV cables/leads).

Only use screened cables in areas with high levels of interference.

2.4 Device installation

Select the installation height so that the final installation can be easily carried out. Recommended height: approx. 1.6 m from the floor to the top edge of the device.

- Separate the drilling template from the lid of the control unit carton (→ Fig. 1).
- With the template, mark the fixing holes for the control unit on the wall.



USER NOTE

The plastic window supplied (→ Fig. 8, page 9) is later pushed onto the control unit from below as sight protection. Where necessary, consider the height of this part during installation.

- Then drill the fixing holes in the wall.
- Set the wall plugs supplied into the drilled holes in the wall.
- Release and remove the control unit lid (→ Fig. 2).

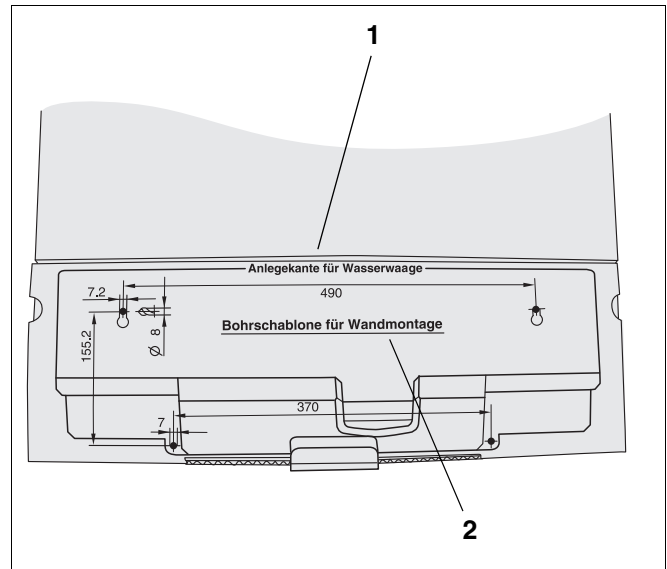


Fig. 1 Drilling template

- 1 Edge for positioning a spirit level
- 2 Drilling template for wall mounting

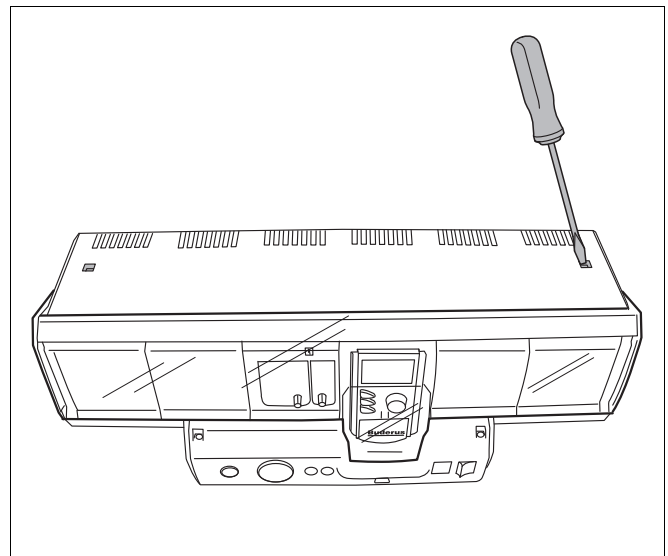


Fig. 2 Control unit lid, undoing screws

- Push out both upper fixing eyes on the control unit with a screwdriver (→ Fig. 3, [1]).
- Secure the control unit to the wall with the four screws supplied (→ Fig. 3, [1] + [2]).



USER NOTE

Remove the transport stay from the Logamatic 4323 control unit, and dispose of in an environmentally responsible manner.

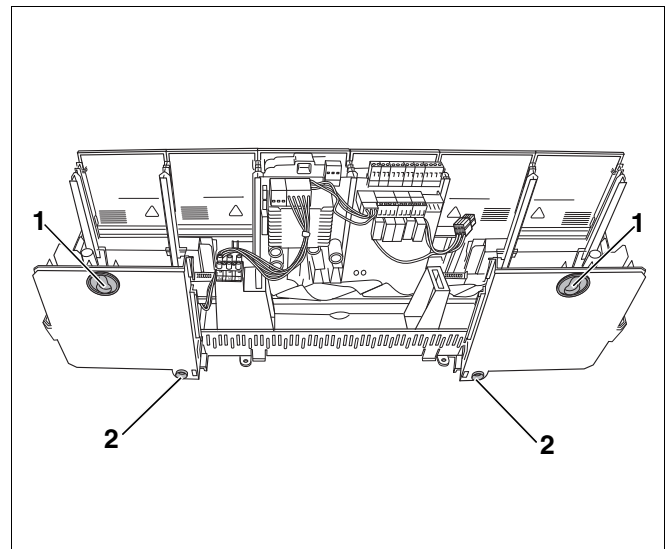


Fig. 3 Control unit back, fixings

Inserting further function modules

- Remove the blanking plate of the slot (slots → Fig. 4) where an additional function module should be installed.

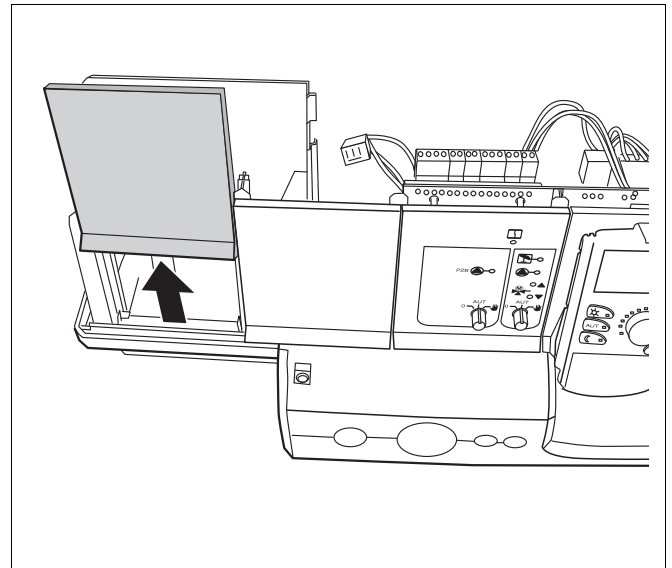


Fig. 4 Removing the blanking plate

- Push the function module into the slot (→ Fig. 5) until a click is heard/felt.
- Make the 230 V module connection to the next module according to the wiring diagram.

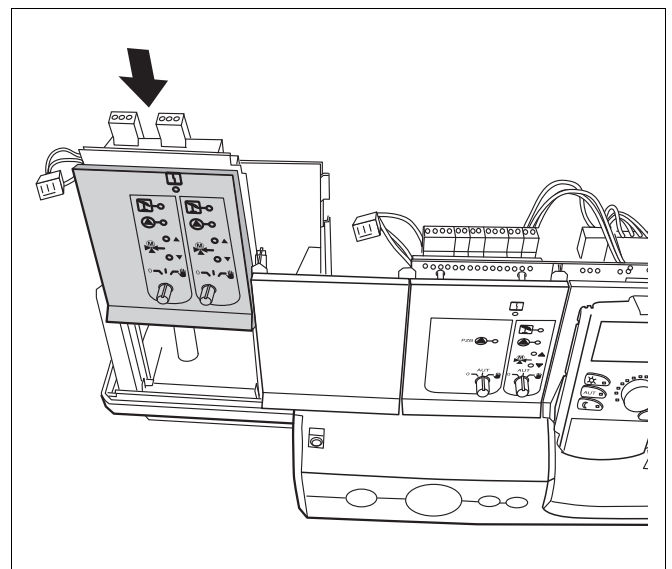


Fig. 5 Function module installation

Routing cables and mains connection

- Insert previously routed cables into the rear of the control unit and trim to size.
- Strip off the outer insulation.
- Strip the wires and firmly secure to the appropriate terminals (→ Fig. 6) in accordance with regulations.
- According to wiring diagram, insert the terminals with the connected cables into the module.



RISK TO LIFE

from electric shock.

WARNING!

The risk of short circuits between the 230V connectors and the low voltage connectors as a result of loose wires at the terminals must be prevented.

- Therefore ensure that the cores of each cable are firmly secured and only strip off the minimum amount of insulation.
- Strip the insulation from the power cable according to regulations, and secure to the 3-pole terminal strip (→ Fig. 7).

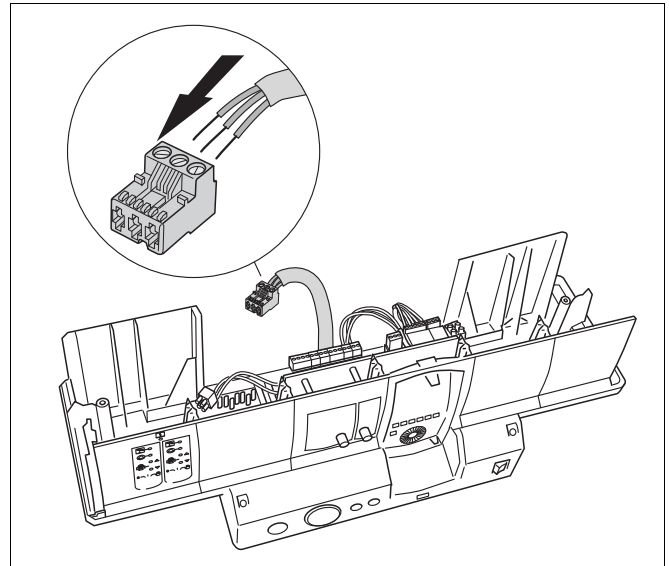


Fig. 6 Routing cables

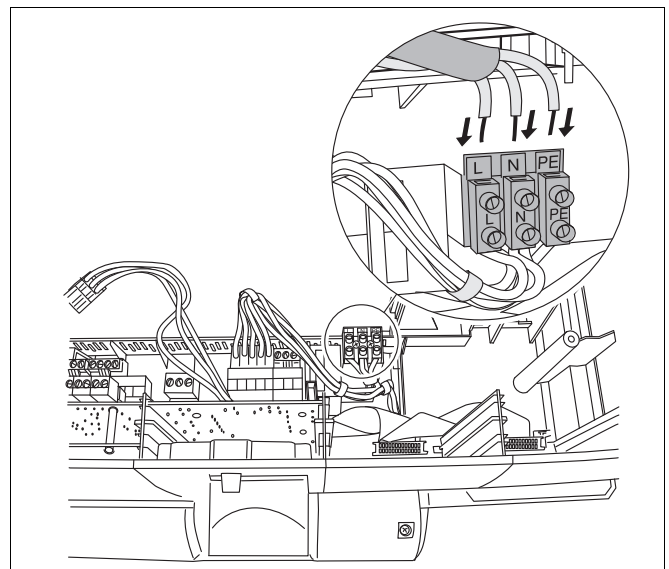


Fig. 7 Power supply

Closing the device

- Remove the plastic window supplied from the packaging. (This piece is designed as lower sight protection).
- In the area of the ribbing (→ Fig. 8, [1]), cut out the panel at the points where the cables enter the unit, using side cutters or similar.



RISK TO LIFE

from electric shock.

WARNING! Cables can be damaged by sharp burrs.

- Remove all burrs from the panel.

- From below, push the panel onto the control unit.
- Position the casing lid in place from the top and secure with screws.
- After commissioning, remove the foil from the clear cover.

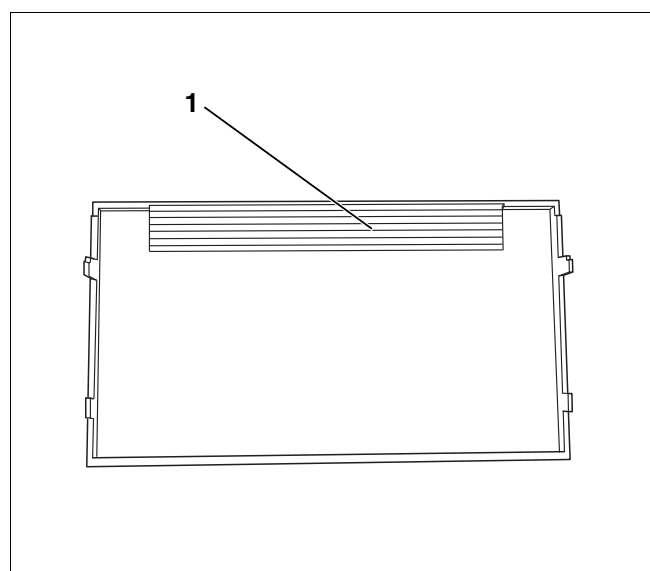


Fig. 8 Plastic window

3 Removing and fitting modules

Removing the module

To remove the module, proceed as follows:



RISK TO LIFE

from electric shock.

WARNING!

- Ensure that all electrical work is carried out by an authorised electrician.
- Before opening the control unit: Isolate all poles of the mains power supply and secure against unintentional reconnection.

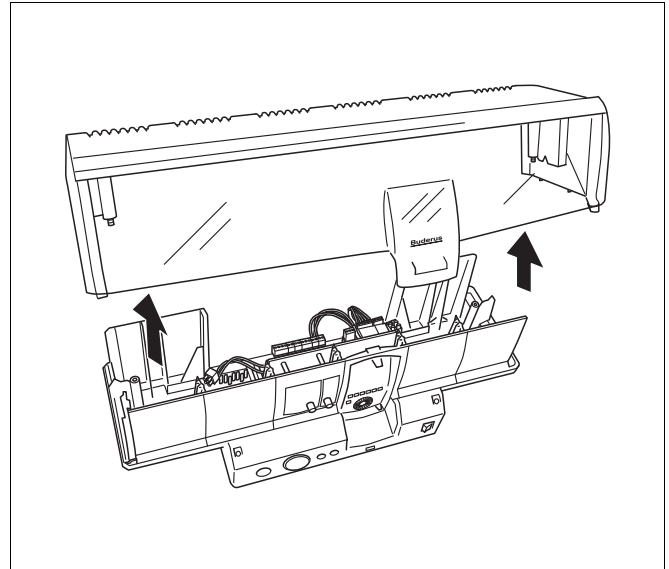


Fig. 9 Opening the device lid

- Open the device lid (→ Fig. 2, page 6 and Fig. 9).
- Pull off all cables associated with the module you want to remove, at their respective terminals (→ Fig. 10).
- Remove the 230 V power supplies from the neighbouring modules.
- Pull the module from the slot (→ Fig. 10)

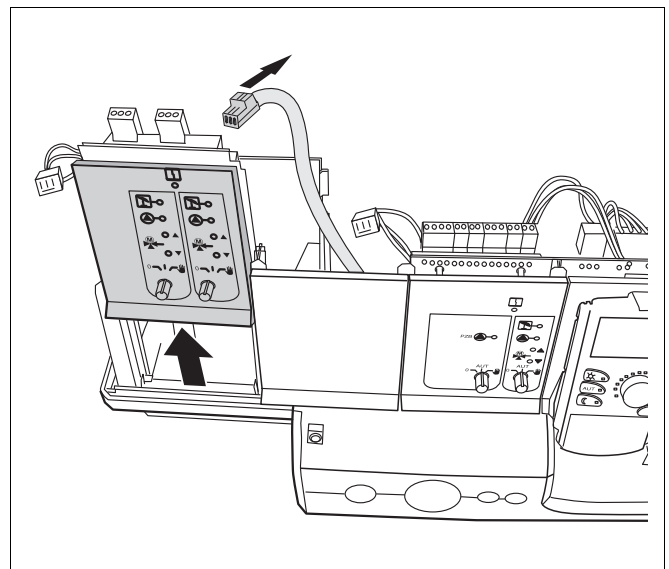


Fig. 10 Function module, removing the module

- Push a new module into the same slot (→ Fig. 5, page 7).
- Wire the new module according to the wiring diagram.
- Close the aperture created with a blanking plate if you are not inserting a new module (→ Fig. 11).
- Carry out all electrical tests as required by the appropriate standard.
- Close control unit cover and secure with two screws.

Fitting the module

Fit the module in reverse order to its removal (→ "Inserting further function modules", page 7).

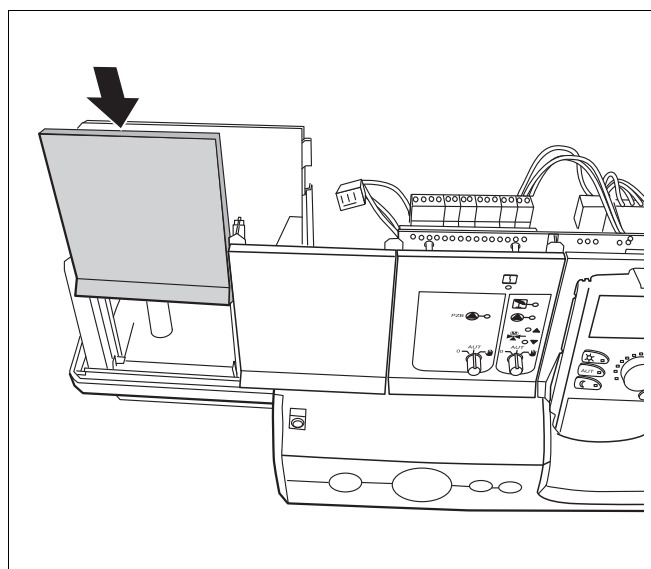


Fig. 11 Inserting a blanking plate

Buderus
Cotswold Way, Warndon, Worcester WR4 9SW
Customer service: 0870 421 5933
Technical support: 0870 421 5944
Fax: 01905 753130
www.buderus-commercial.co.uk

In the UK and IE, Buderus is a brand name of
Bosch Thermotechnology Ltd.

Bosch Thermotechnik GmbH
Sophienstrasse 30-32
D-35576 Wetzlar
www.buderus.de
info@buderus.de

Buderus