

TECHNICAL BULLETIN

PRODUCT: BUDERUS GB312

RISK OF HARD IGNITION DUE TO INADEQUATE MAINTENANCE

Mandatory maintenance:

Field observations have shown that there is an increased risk of hard ignition if annual maintenance is not carried out in accordance with the installation and maintenance instructions.

It is vital that during maintenance work the ignition electrode position and CO₂ readings are adjusted in accordance with the latest installation and maintenance instructions, available at:

<http://www.buderus.co.uk/downloads/manuals/gb312-manuals.html>

Checking the electrodes:

Please refer to the installation and maintenance instructions for checking and adjustment of the ignition electrodes (see Fig. 1 extract).

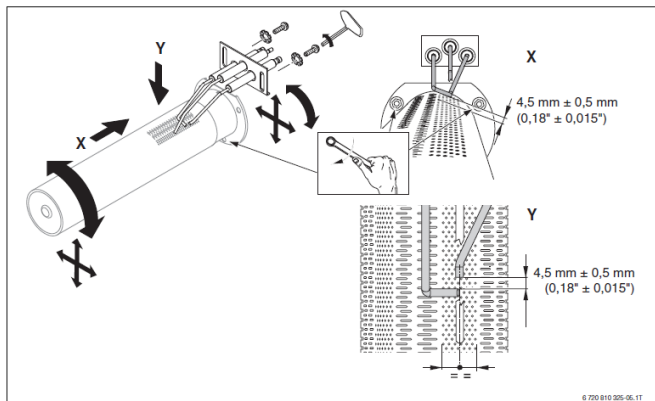


Fig. 1 Servicing Manual Extract

Adjustment of the electrode position in relation to the burner rod, the gap between electrode and burner as well as between electrodes, must be checked at every maintenance interval.

Use a gauge to check the electrode gaps (see Fig. 2 and Fig. 3).

Bent or worn electrodes must be replaced.

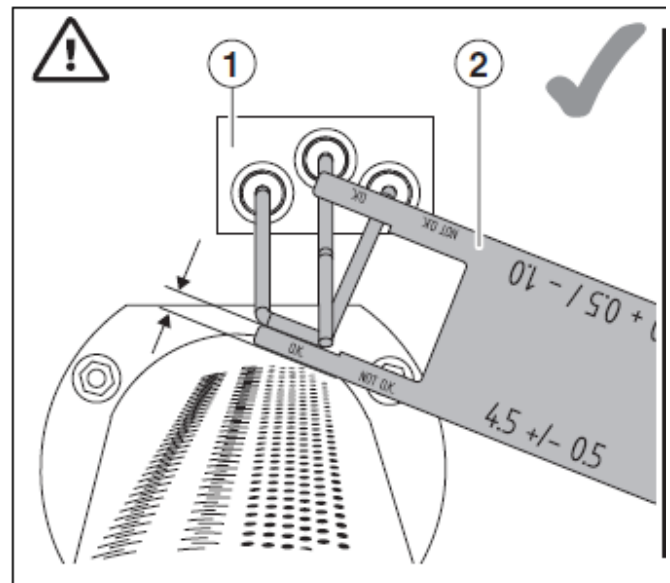


Fig. 2 Measuring the Electrode Gap

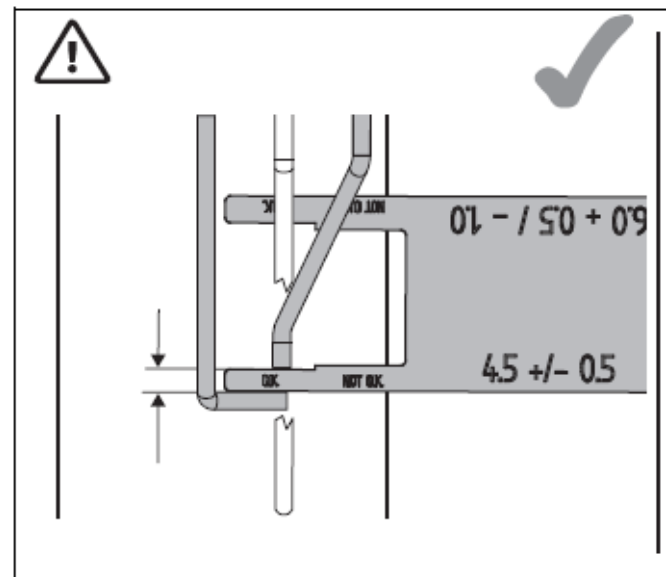


Fig. 3 Measuring the Electrode Gap (continued)

There is important information regarding this Technical Bulletin on page 2 of this document.

Whilst it is always our intention to fully assist, it is essential to recognise that all information given by the company in response to an enquiry of any nature is provided in good faith and based upon the information provided with the enquiry. We recommend that advice should always be checked with your installer or contract partner. Consequently, the company cannot be held responsible for any liability relating to the use or repetition of such information or part thereof. In addition, whilst making every reasonable effort to monitor the performance and quality of our supply, installation and service network, we do not accept responsibility for the workmanship or operation of any third party company that the company may have promoted either in conversation, e-mail or other communication. Similarly, the views and opinions expressed in communication with individuals within the company may not reflect that of the business as a whole.

You can find this, and all issued technical bulletins on our website at: <http://www.bosch-industrial.co.uk/tb>

TECHNICAL BULLETIN

PRODUCT: BUDERUS GB312

RISK OF HARD IGNITION DUE TO INADEQUATE MAINTENANCE

Checking the CO₂ readings:

The CO₂ readings must be checked at every maintenance interval and adjusted if necessary in accordance with the latest installation and maintenance instructions.

Adjustment of CO₂ with Kromschroder gas valve:

For models with the Kromschroder gas valve, an additional CO₂ check should be made at 60% modulation, to ensure the CO₂ level is not above 9.7%.

If this level is exceeded, a further full load adjustment must be carried out at 70% modulation rather than the initial 100% modulation position.

Record of maintenance:

A record of the maintenance work should be made along with adjustments that have been made to the electrode positions and CO₂ adjustments. The records should be retained by the end user.

Whilst it is always our intention to fully assist, it is essential to recognise that all information given by the company in response to an enquiry of any nature is provided in good faith and based upon the information provided with the enquiry. We recommend that advice should always be checked with your installer or contract partner. Consequently, the company cannot be held responsible for any liability relating to the use or repetition of such information or part thereof. In addition, whilst making every reasonable effort to monitor the performance and quality of our supply, installation and service network, we do not accept responsibility for the workmanship or operation of any third party company that the company may have promoted either in conversation, e-mail or other communication. Similarly, the views and opinions expressed in communication with individuals within the company may not reflect that of the business as a whole.

You can find this, and all issued technical bulletins on our website at: <http://www.bosch-industrial.co.uk/tb>