

AIR CONDITIONER

# REMOTE CONTROLLER MANUAL



**BOSCH**

6 720 866 393 (2018/03) GB

Thank you very much for purchasing our air conditioner.  
Please read this owner's manual carefully before using your air conditioner.

## Table of Contents

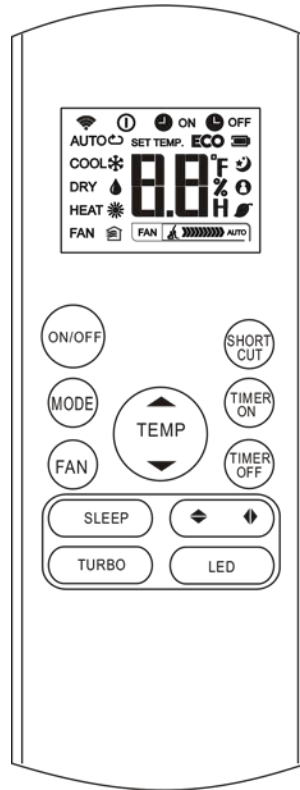
Remote controller Specifications .....	2
Operation buttons .....	3
Indicators on LCD .....	6
How to use the buttons .....	7
Auto operation .....	7
Cooling/Heating/Fan operation.....	7
Dehumidifying operation .....	8
Adjusting air flow direction .....	8
Timer operation.....	9
Handling the remote controller .....	13

### NOTE:

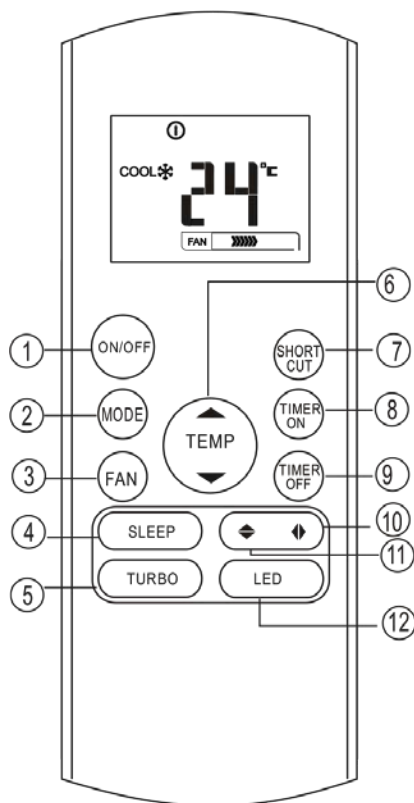
- Button design is based on typical model and might be slightly different from the actual one you purchased the actual shape shall prevail.
- All the functions described are fulfilled by the unit. If the unit does not have this feature, there is no corresponding operation happening when pressing the relative button on the remote controller.
- When there are wide differences between "Remote controller Illustration" and "USER'S MANUAL" on function description, the description of "USER'S MANUAL" shall prevail.

## 1. Remote Controller Specifications

Model	RG57B2/BGE
Rated Voltage	3.0V (AAA batteries)
Signal Receiving Range	8m
Operating temperature	-5°C ~ 60°C



## 2. Operation of buttons

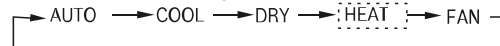


### 1 ON/OFF Button

This button turns the air conditioner ON and OFF.

### 2 MODE Button

Press this button to modify the air conditioner mode in a sequence of following:



**NOTE:** Please do not select HEAT mode if the machine you purchased is cooling only type. Heat mode is not supported by the cooling only appliance.

### 3 FAN Button

Used to select the fan speed in four steps:



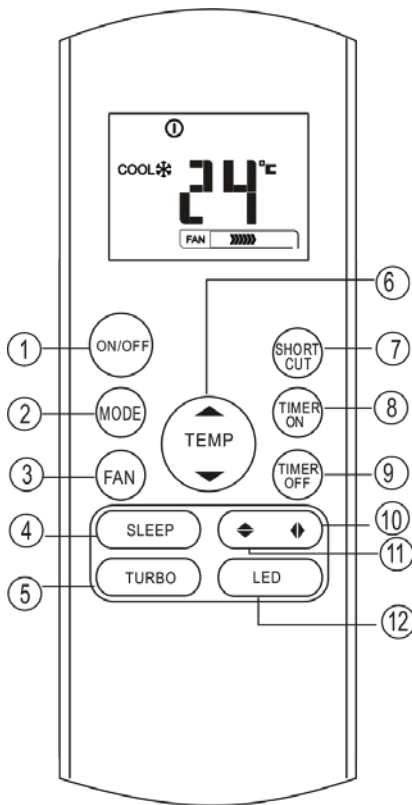
**NOTE:** You can not change the fan speed in AUTO or DRY mode.

### 4 SLEEP Button

Active/Disable sleep function. It can maintain the most comfortable temperature and save energy. This function is available on COOL, HEAT or AUTO mode only. For the detail, see sleep operation in "USER S MANUAL".  
**NOTE:** While the unit is running under SLEEP mode, it would be cancelled if MODE, FAN SPEED or ON/OFF button is pressed.

### 5 TURBO Button

Active/Disable Turbo function. Turbo function enables the unit to reach the preset temperature at cooling or heating operation in the shortest time (if the indoor unit does not support this function, there is no corresponding operation happening when pressing this button).



### 6 UP Button (▲)

Push this button to increase the indoor temperature setting in 1°C increments to 30°C.

### DOWN Button (▼)

Press this button down to decrease the temperature.

### 7 SHORTCUT Button

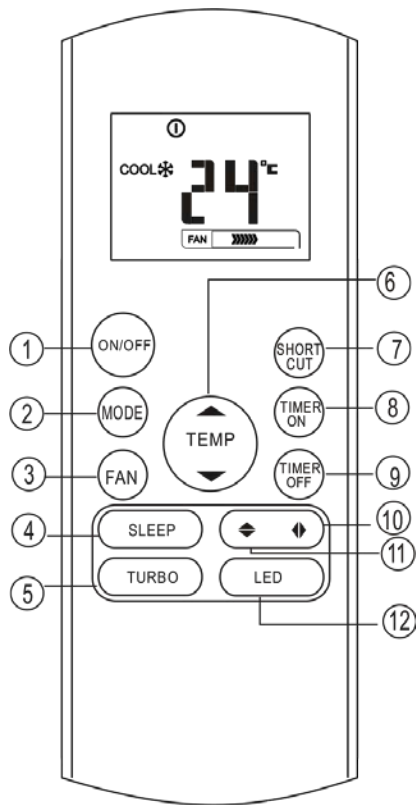
- Used to restore the current settings or resume previous settings.
- When first connecting to the power, if you push the SHORTCUT button, the unit will operate on AUTO mode, 26°C, and fan speed is Auto.
- Push this button when the remote controller is on, the system will automatically revert back to the previous settings including operating mode, setting temperature, fan speed level and sleep feature (if activated).
- If you hold a button for more than 2 seconds, the system will automatically restore the current operation settings including operating mode, setting temperature, fan speed level and sleep feature (if activated).

### 8 TIMER ON Button

Press this button to initiate the auto-on time sequence. Each press will increase the auto-timed setting in 30 minutes increments. When the setting time displays 10.0, each press will increase the autotimed setting 60 minutes increments. To cancel the auto-timed program, simply adjust the auto-on time to 0.0.

### 9 TIMER OFF Button

Press this button to initiate the auto-off time sequence. Each press will increase the auto-timed setting in 30 minutes increments. When the setting time displays 10.0, each press will increase the auto-timed setting 60 minutes increments. To cancel the autotimed program, simply adjust the auto-off time to 0.0.



#### 10 Swing ◀▶ Button

Used to stop or start vertical louvre movement and set the desired left/right air flow direction. The vertical louvre changes 6 degree in angle for each press. And the temperature display area of indoor unit displays 'r' for one second. If kept held more than 2 seconds, the vertical louvre swing feature is activated. And the display area of indoor unit displays 'llll', flashes four times, then the temperature setting reverts back. If the vertical louvre swing feature is stopped, it displays 'LC' and remains on for 3 seconds.

**NOTE:** For some units, the indoor units display 'ON' when the swing feature is activated, and display 'OF' when the swing feature is stopped.

#### 11 Swing ◀▶ Button

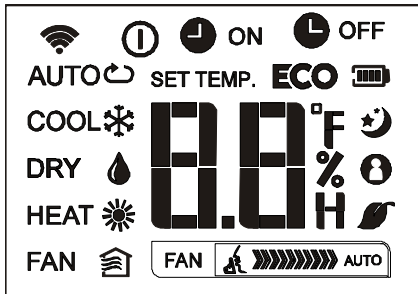
Used to stop or start horizontal louvre movement or set the desired up/down air flow direction. The louvre changes 6 degrees in angle for each press. If held down more than 2 seconds, the louvre will swing up and down automatically.

#### 12 LED Button

Disable/Activate indoor screen Display. When pushing the button, the indoor screen display is cleared, press it again to light the display.

### 3. Indicators on LCD

Information is displayed when the remote controller is powered up.



#### Mode display

AUTO ↻ COOL ❄️ DRY 💧  
HEAT ☀️ FAN 🌀

---

	Displayed when data transmitted.
	Displayed when remote controller is ON.
	Battery display (low battery detection)
<b>ECO</b>	Not available for this unit

---

	Displayed when TIMER ON time is set.
	Displayed when TIMER OFF time is set.
	Show set temperature or room temperature, or time under TIMER setting.

---

	Displayed in Sleep Mode operation.
	Not available for this unit
	Not available for this unit
	Not available for this unit

---

#### Fan speed indication

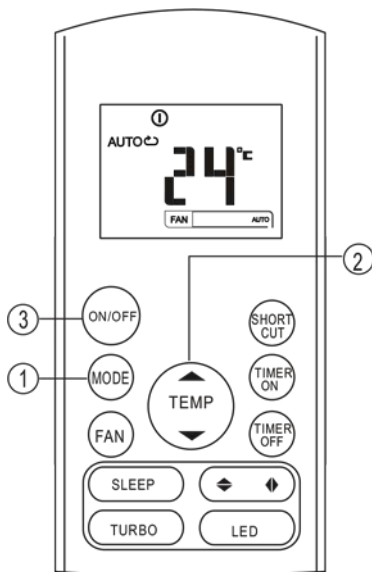
<b>FAN</b>	Low speed
<b>FAN</b>	Medium speed
<b>FAN</b>	High speed
<b>FAN</b>	Auto fan speed

---

#### Note:

*All indicators shown in the figure are for the purpose of clear presentation. During the actual operation only the relative functional signs are shown on the display window.*

## 4. How to use the buttons



### Auto operation

Ensure the power supply is on and all interconnecting wires are connected. The OPERATION indicator on the display panel of the indoor unit starts flashing.

- 1 Press the MODE button to select Auto.
- 2 Press the UP/DOWN button to set the desired temperature. The temperature can be set within a range of 17°C ~ 30°C in 1°C increments.
- 3 Press the ON/OFF button to start the air conditioner.

#### **NOTE**

- 1 *In the Auto mode, the air conditioner can logically choose the mode of Cooling, Fan, and Heating by sensing the difference between the actual ambient room temperature and the setting temperature on the remote controller.*
- 2 *In the Auto mode, you can not switch the fan speed. It is automatically controlled.*
- 3 *If the Auto mode is not comfortable for you, the desired mode can be selected manually.*

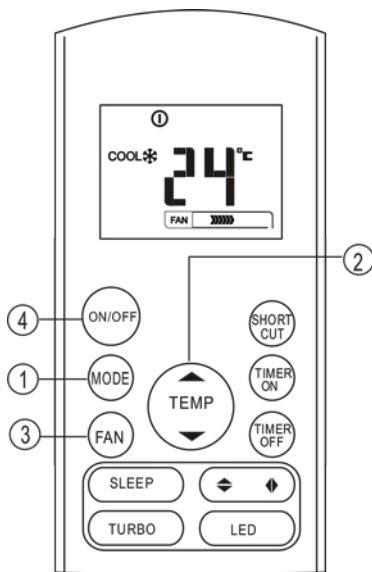
### Cooling /Heating/Fan operation

Ensure the power supply is on and all interconnecting wires are connected.

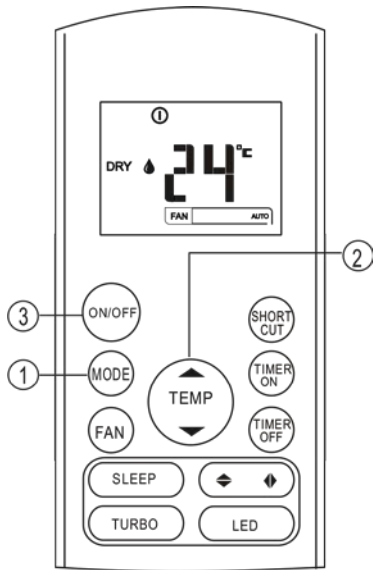
- 1 Press the **MODE** button to select COOL, HEAT (cooling & heating models only) or FAN mode.
- 2 Press the **UP/DOWN** buttons to set the desired temperature. The temperature can be set within a range of 17°C ~ 30°C in 1°C increments.
- 3 Press the **FAN** button to select the fan speed in four steps: Auto, Low, Med, or High.
- 4 Press the **ON/OFF** button to start the air conditioner.

#### **NOTE**

*In the FAN mode, the setting temperature is not displayed in the remote controller and you are not able to control the room temperature either. In this case, only step 1, 3 and 4 may be performed.*







### Dehumidifying operation

Ensure the power supply is on and all interconnecting wires are connected. The OPERATION indicator on the display panel of the indoor unit starts flashing.

- 1 Press the **MODE** button to select DRY mode.
- 2 Press the **UP/DOWN** buttons to set the desired temperature. The temperature can be set within a range of 17°C~ 30°C in 1°C increments.
- 3 Press the **ON/OFF** button to start the air conditioner.

#### **NOTE**

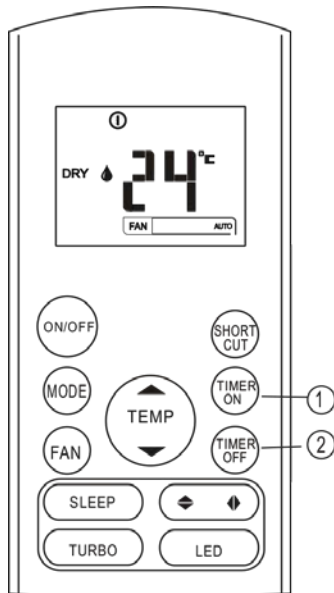
*In the Dehumidifying mode, you can not switch the fan speed. It is automatically controlled.*

### Adjusting air flow direction

Use the SWING ◀▶ & ⬆ button to adjust the desired airflow direction.

- 1 Up/Down direction can be adjusted with the ⬆ button on the remote controller. Each time when you press the button, the louvre moves an angle of 6 degree. If pressing more than 2 seconds, the louvre will swing up and down automatically.
- 2 Left/Right direction can be adjusted with the ▶ button on the remote controller. Each time when you press the button, the louvre moves an angle of 6 degree. If pressing more than 2 seconds, the louvre will swing up and down automatically.

**NOTE:** When the louvre swing or move to a position which would affect the cooling or heating effect of the air conditioner, it would automatically change the swing/moving direction.



### Timer operation

Pressing the TIMER ON button can set the auto-on time of the unit. Pressing the TIMER OFF button can set the auto-off time of the unit.

#### **To set the Auto-on time.**

- 1 Press the TIMER ON button. The remote controller shows TIMER ON, the last Auto-on setting time and the signal "H" will be shown on the LCD display area. Now it is ready to reset the Auto-on time to START the operation.
- 2 Push the TIMER ON button again to set desired Auto-on time. Each time you press the button, the time increases by half an hour between 0 and 10 hours and by one hour between 10 and 24 hours.
- 3 After setting the TIMER ON, there will be a one second delay before the remote controller transmits the signal to the air conditioner. Then, after approximately another 2 seconds, the signal "H" will disappear and the set temperature will re-appear on the LCD display window.

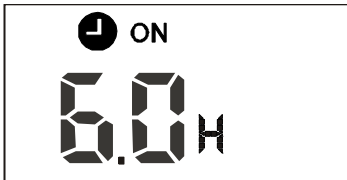
#### **To set the Auto-off time.**

- 1 Press the TIMER OFF button. The remote controller shows TIMER OFF, the last Auto-off setting time and the signal "H" will be shown on the LCD display area. Now it is ready to reset the Auto-off time to stop the operation.
- 2 Push the TIMER OFF button again to set desired Auto-off time. Each time you press the button, the time increases by half an hour between 0 and 10 hours and by one hour between 10 and 24 hours.
- 3 After setting the TIMER OFF, there will be a one second delay before the remote controller transmits the signal to the air conditioner. Then, after approximately another 2 seconds, the signal "H" will disappear and the set temperature will re-appear on the LCD display window.

**CAUTIONS**

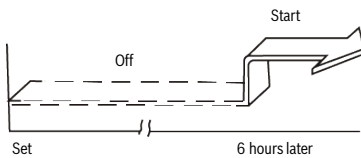
- When you select the timer operation, the remote controller automatically transmits the timer signal to the indoor unit for the specified time. Therefore, keep the remote controller in a location where it can transmit the signal to the indoor unit properly.
- The effective operation time set by the remote controller for the timer function is limited to the following settings: 0.5, 1.0, 1.5, 2.0, 2.5, 3.0, 3.5, 4.0, 4.5, 5.0, 5.5, 6.0, 6.5, 7.0, 7.5, 8.0, 8.5, 9.0, 9.5, 10, 11, 12, 13, 14, 15, 16, 17, 18, 19, 20, 21, 22, 23 and 24.

**Example of timer setting**



**TIMER ON  
(Auto-on Operation)**

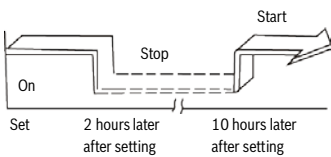
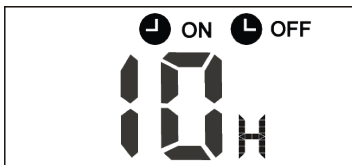
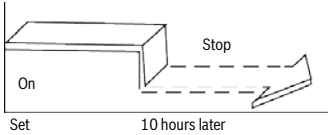
The TIMER ON feature is useful when you want the unit to turn on automatically before you return home. The air conditioner will automatically start operating at the set time.



**Example:**

To start the air conditioner in 6 hours.

- 1 Press the TIMER ON button, the last setting of starting operation time and the signal "H" will show on the display area.
- 2 Press the TIMER ON button to display "6.0H" on the TIMER ON display of the remote controller.
- 3 Wait for 3 seconds and the digital display area will show the temperature again. The "TIMER ON" indicator remains on and this function is activated.



### TIMER OFF (Auto-off Operation)

The TIMER OFF feature is useful when you want the unit to turn off automatically after you go to bed. The air conditioner will stop automatically at the set time.

#### Example:

To stop the air conditioner in 10 hours.

- 1 Press the TIMER OFF button, the last setting of stopping operation time and the signal "H" will show on the display area.
- 2 Press the TIMER OFF button to display "10H" on the TIMER OFF display of the remote controller.
- 3 Wait for 3 seconds and the digital display area will show the temperature again. The "TIMER OFF" indicator remains on and this function is activated.

### COMBINED TIMER

(Setting both ON and OFF timers simultaneously)

TIMER OFF → TIMER ON

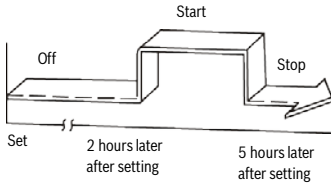
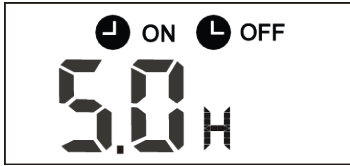
(On → Stop → Start operation)

This feature is useful when you want to stop the air conditioner after you go to bed, and start it again in the morning when you wake up or when you return home.

#### Example:

To stop the air conditioner 2 hours after setting and start it again 10 hours after setting.

- 1 Press the TIMER OFF button.
- 2 Press the TIMER OFF button again to display 2.0H on the TIMER OFF display.
- 3 Press the TIMER ON button.
- 4 Press the TIMER ON button again to display 10H on the TIMER ON display.
- 5 Wait for 3 seconds and the digital display area will show the temperature again. The "TIMER ON OFF" indicator remains on and this function is activated.



TIMER ON → TIMER OFF

(Off → Start → Stop operation)

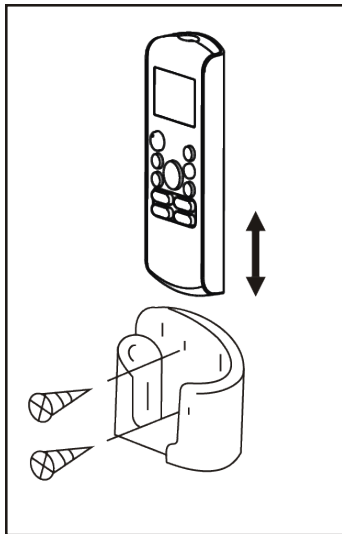
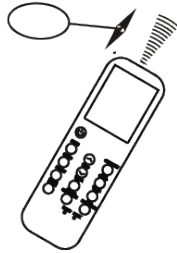
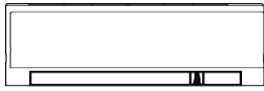
This feature is useful when you want to start the air conditioner before you wake up and stop it after you leave the house.

**Example:**

To start the air conditioner 2 hours after setting, and stop it 5 hours after setting.

- 1 Press the TIMER ON button.
- 2 Press the TIMER ON button again to display 2.0H on the TIMER ON display.
- 3 Press the TIMER OFF button.
- 4 Press the TIMER OFF button again to display 5.0H on the TIMER OFF display.
- 5 Wait for 3 seconds and the digital display area will show the temperature again. The "TIMER ON & TIMER OFF" indicator remains on and this function is activated.

## 5. Handling the remote controller



### Location of the remote controller.

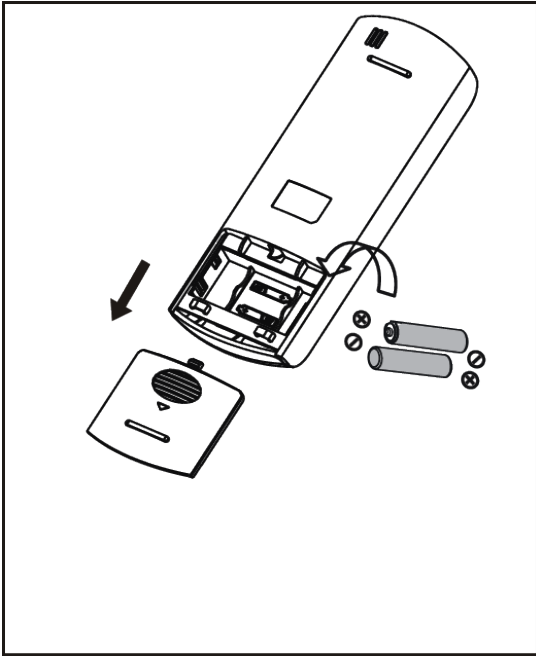
- Use the remote controller within a distance of 8 meters from the appliance, pointing it towards the receiver. Reception is confirmed by a beep.

#### ⚠ CAUTIONS

- The air conditioner will not operate if curtains, doors or other materials block the signals from the remote controller to the indoor unit.
- Prevent any liquid from entering into the remote controller. Do not expose the remote controller to direct sunlight or heat.
- If the infrared signal receiver on the indoor unit is exposed to direct sunlight, the air conditioner may not function properly.
- If other electrical appliances react to the remote controller, either move these appliances or consult your local dealer.
- Do not drop the remote controller. Handle with care.
- Do not place heavy objects on the remote controller, or step on it.

### Using the remote controller holder (supplied)

- The remote controller can be attached to a wall or pillar by using a remote controller holder.
- Before installing the remote controller, check that the air conditioner receives the signals properly.
- Install the remote controller with supplied screws.
- For installing or removing the remote controller, slide out of in the holder.



### Replacing batteries

The following cases signify exhausted batteries. Replace old batteries with new ones.

- Receiving beep is not emitted when a signal is transmitted.
- Indicator fades away.

The remote controller is powered by two dry batteries (AAA) housed in the back rear part and protected by a cover.

- 1) Remove the cover in the rear part of the remote controller.
- 2) Remove the old batteries and insert the new batteries, placing the (+) and (-) ends correctly.
- 3) Install the cover back on.

**NOTE:** When the batteries are removed, the remote controller erases all programming. After inserting new batteries, the remote controller must be reprogrammed.

### ⚠ CAUTIONS

- Do not mix old and new batteries or batteries of different types.
- Do not leave the batteries in the remote controller if they are not going to be used for 2 or 3 months.
- Dispose batteries correctly.



Bosch Thermotechnology Ltd  
Cotswold Way  
Warndon  
Worcester  
WR4 9SW  
mailto: [Commercial.enquiry@uk.bosch.com](mailto:Commercial.enquiry@uk.bosch.com)  
Contact Number: 03301233004  
Web address: [www.bosch-industrial.co.uk](http://www.bosch-industrial.co.uk)